

DT10e

Track Dumpers



**WACKER
NEUSON**
all it takes!



compact, maneuverable, electrical

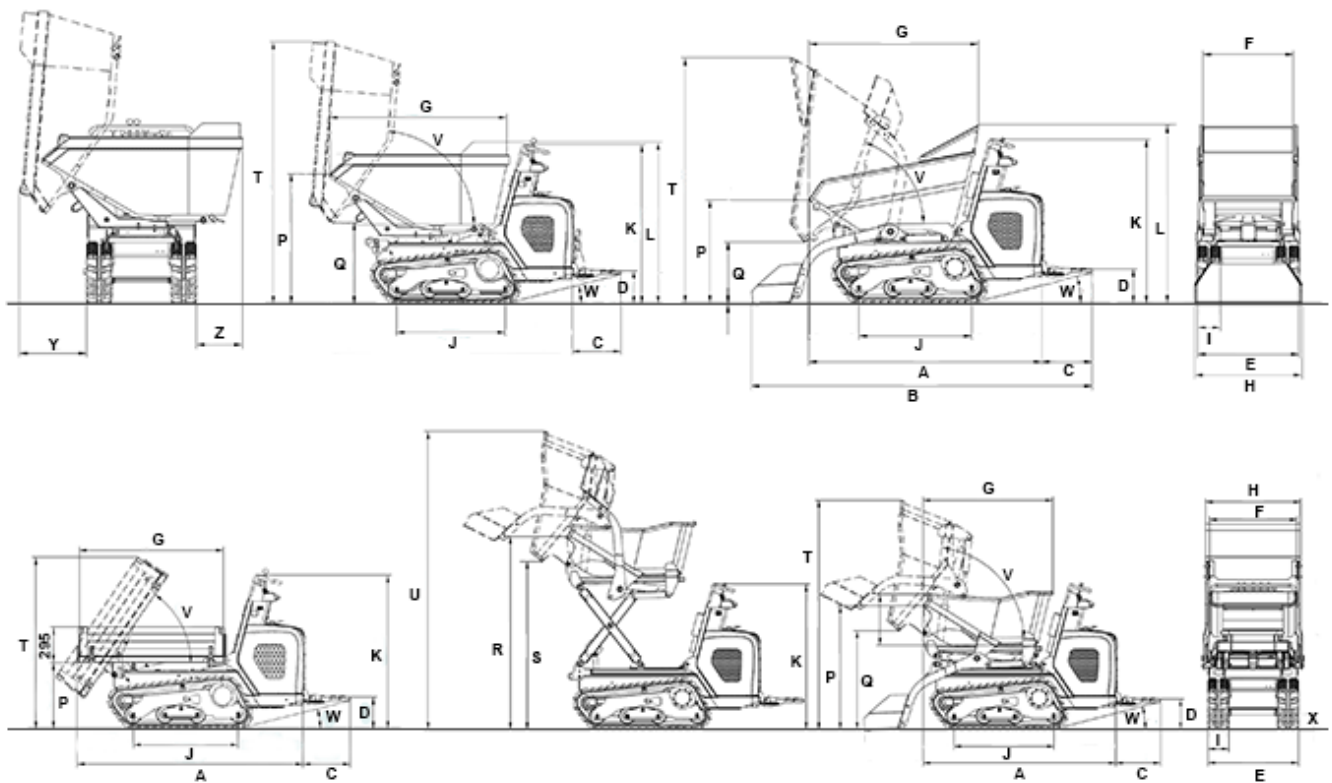
Whether in urban areas or indoors: With the purely electrically powered DT10e, you work everywhere entirely free of emissions. In addition, the machine impresses with its compactness, thanks to which you can get through any standard door.

- 100% electric driving
- 0 % emissions
- Very practical: 2 battery packs, including battery charger, integrated into the machine
- Stable, even in sloping position, thanks to the low-mounted batteries
- Reduced service and energy costs through the electrical drive system

DT10e Technical specifications

	Front tip skip	High tip skip
Operating data		
Shipping weight kg	815	
Shipping weight with self-loading equipment kg	865	995
Payload max. kg	1,000	550
Skip capacity struck l	367	330
Skip capacity heaped l	427	400
L x W x H mm	2,248 x 830 x 1,270	2,208 x 790 x 1,270
Engine / Motor		
Engine performance electric motor kW	5.5	5.5
Travel speed max. km/h	4	4
Gradeability max. %	36	36
Capacity Ah	143	143
Voltage V	80	80

DT10e Dimensions



		Front tip skip	High tip skip
A	Length (without running board)	1,803 mm	1,685 mm
B	Length with self-loading system (without running board)	2,248 mm	2,208 mm
C	Length running board	392 mm	392 mm
D	Height over running board	265 mm	265 mm
E	Width undercarriage	830 mm	790 mm
F	Skip width	790 mm	764 mm
G	Skip length	1,320 mm	1,134 mm
H	Width with self-loading system	830 mm	830 mm
I	Chain width	180 mm	180 mm
J	Length track rise	875 mm	875 mm
K	Height over control console	1,270 mm	1,270 mm
L	Height	1,445 mm	
P	Height of skip front edge	801 mm	1,083 mm
Q	Dump height max.	474 mm	863 mm
R	Height		1,688 mm
S	Dump height max.		1,467 mm
T	Height skip raised	1,905 mm	2,003 mm
U	Height		2,610 mm
V	Dump angle	70 °	82 °

W	Bucket rollback running board	14 °	15 °
X	Ground clearance	184 mm	128 mm

Please note: that product availability can vary from country to country. It is possible that information / products may not be available in your country. More detailed information on engine power can be found in the operator's manual; the stated power may vary due to specific operating conditions. Subject to alterations and errors excepted. Applicable also to illustrations.

Copyright © 2021 Wacker Neuson SE.