

DT15

Track Dumpers



**WACKER
NEUSON**
all it takes!



Maximum power

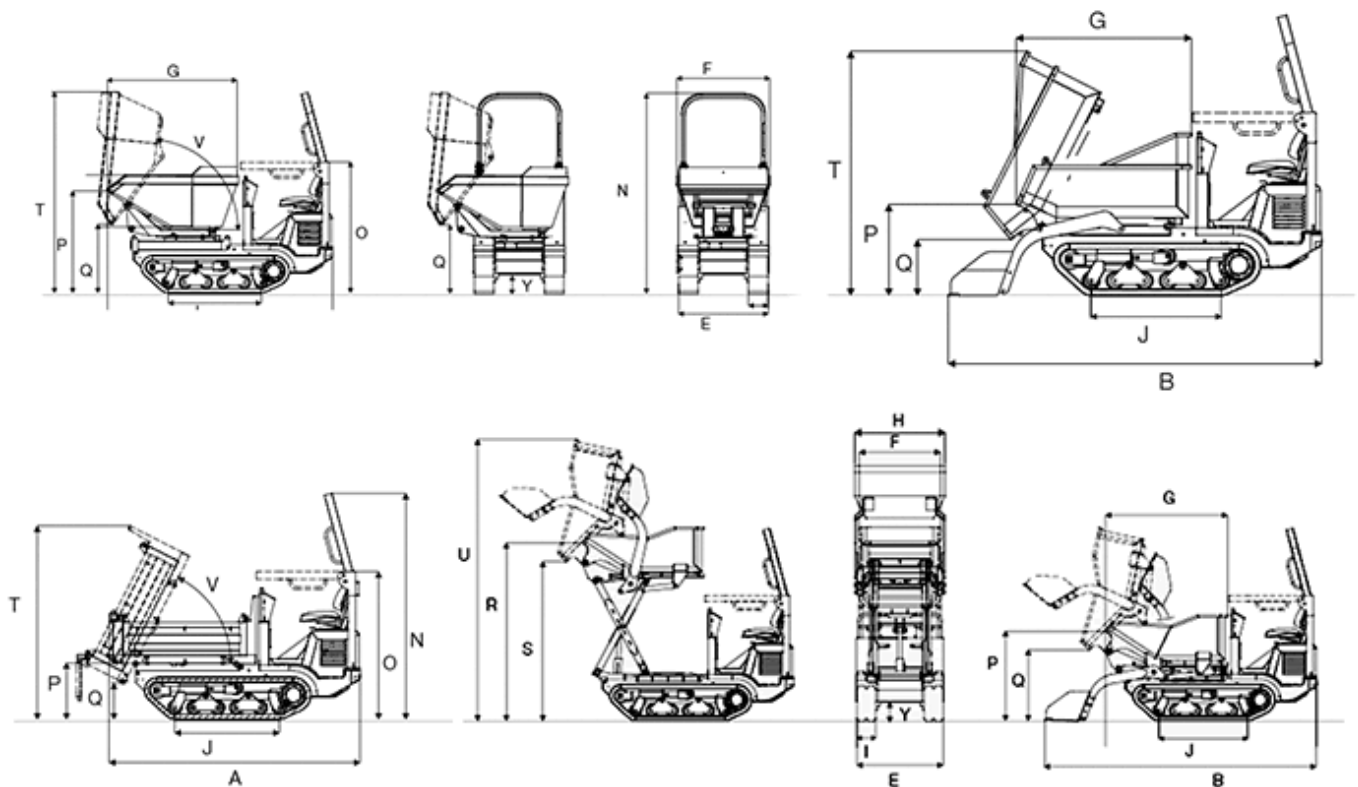
The track dumper DT15 is the ideal transporter on all types of soil, such as gravel or sand, as well as boggy or hilly terrain. The one-piece engine hatch and optimal configuration of the service points make daily maintenance easy.

- The hydrostatic drive enables easy and comfortable operation.
- Folding ROPS roll bar for passageways with low-headroom.
- Low center of gravity for increased stability and guaranteed gradeability up to 62%.
- Auxiliary hydraulics as standard for additional attachments, such as concrete mixers, breakers etc.
- A variety of robust and stable hydraulic tipping skips and other attachments are available, for instance a front-tipping skip, a high-tipping skip, a 3-way side-tipping platform or a hydraulic high-volume concrete mixer.

DT15 Technical specifications

	Front tip skip	Swivel Tip skip	High tip skip	Special skip	Concrete mixer
Operating data					
Shipping weight Diesel kg	1,310	1,330	1,540	1,270	1,430
Shipping weight Selbstladeeinrichtung kg	1,390		1,620		1,510
Payload max. kg	1,500	1,500	1,500	1,500	1,500
Skip capacity level I	660	550	632	520	
Skip capacity heaped I	800	760	650	690	360
L x W x H mm	2,585 x 1,080 x 2,372	2,674 x 1,080 x 2,372	2,609 x 1,080 x 2,372	2,640 x 1,080 x 2,372	2,403 x 1,080 x 2,372
Engine / Motor					
Engine performance Diesel kW	15	15	15	15	15
at rpm rpm	3,000	3,000	3,000	3,000	3,000
Travel speed 1 km/h	4	4	4	4	4
Travel speed Diesel km/h	7.5	7.5	7.5	7.5	7.5
Gradeability %	27	27	27	27	27
Fuel tank capacity l	24	24	24	24	24

DT15 Dimensions



		Front tip skip	Swivel tip skip	High tip skip	Special skip	Concrete mixer
A	Length (without operator board) 2,640 mm	2,403 mm	2,585 mm	2,674 mm	2,609 mm	
B	Length with self-loading equipment (without running board)	3,250 mm	3,160 mm		3,365 mm	
E	Width undercarriage 1,080 mm	1,080 mm	1,080 mm	1,080 mm	1,080 mm	
F	Skip width 1,020 mm	926 mm	1,054 mm	1,102 mm	1,000 mm	
G	Skip length 1,547 mm		1,482 mm	1,537 mm	1,500 mm	
H	Width with self-loading equipment	1,080 mm	1,080 mm		1,121 mm	
I	Chain width track 230 mm	230 mm	230 mm	230 mm	230 mm	
J	Length track		1,100 mm	1,100 mm	1,100 mm	

	1,100 mm	1,100 mm			
N	Height over ROPS rollbar 2,372 mm	2,372 mm	2,372 mm	2,372 mm	2,372 mm
O	Height over ROPS rollbar (collapsed) 2,022 mm	2,022 mm	2,022 mm	2,022 mm	2,022 mm
P	Height of skip front edge 1,150 mm	1,254 mm	770 mm	1,210 mm	1,104 mm
Q	Dump height max. 380 mm	762 mm	472 mm	810 mm	873 mm
R	Height of skip front edge when raised				2,193 mm
S	Dump height max. of high-tipping skip when raised				1,963 mm
T	Height max., skip raised 2,040 mm	1,647 mm	2,070 mm	2,381 mm	2,383 mm
U	Height max., high-tipping skip raised				3,472 mm
V	Dump angle skip dumping 63 °	62 °	63 °	84 °	78 °
Y	Ground clearance 224 mm	224 mm	224 mm	224 mm	224 mm

Please note: that product availability can vary from country to country. It is possible that information / products may not be available in your country. More detailed information on engine power can be found in the operator's manual; the stated power may vary due to specific operating conditions. Subject to alterations and errors excepted. Applicable also to illustrations.
Copyright © 2021 Wacker Neuson SE.