

DT23

Track Dumpers



**WACKER
NEUSON**
all it takes!



The powerful and efficient Track Dumper

Efficient in action, yet gentle on the ground and unrestricted off-road: the DT23 masters every task easily and at the same time is agile and powerful. The optional auxiliary hydraulics for the two-stage traction drive and the connection of external devices such as hammers or grippers make it an all-rounder on every construction site. Due to the sensitive hydrostatic travel drive, even inexperienced operators can handle the dumper quick and easy. Due to the perfect balanced components, the DT23 scores with its enormous traction in spite of its simple technology without electronics to guarantee easy maintenance.

- The low center of gravity increases stability and guarantees a gradeability of up to 36°
- Long maintenance intervals, easy to follow thanks to the operating hours counter
- Safe working due to the ROPS certified foldable roll over bar and working lights equipped as standard
- High ground clearance for use on uneven terrain
- The intuitive joystick control makes steering very easy

DT23 Technical specifications

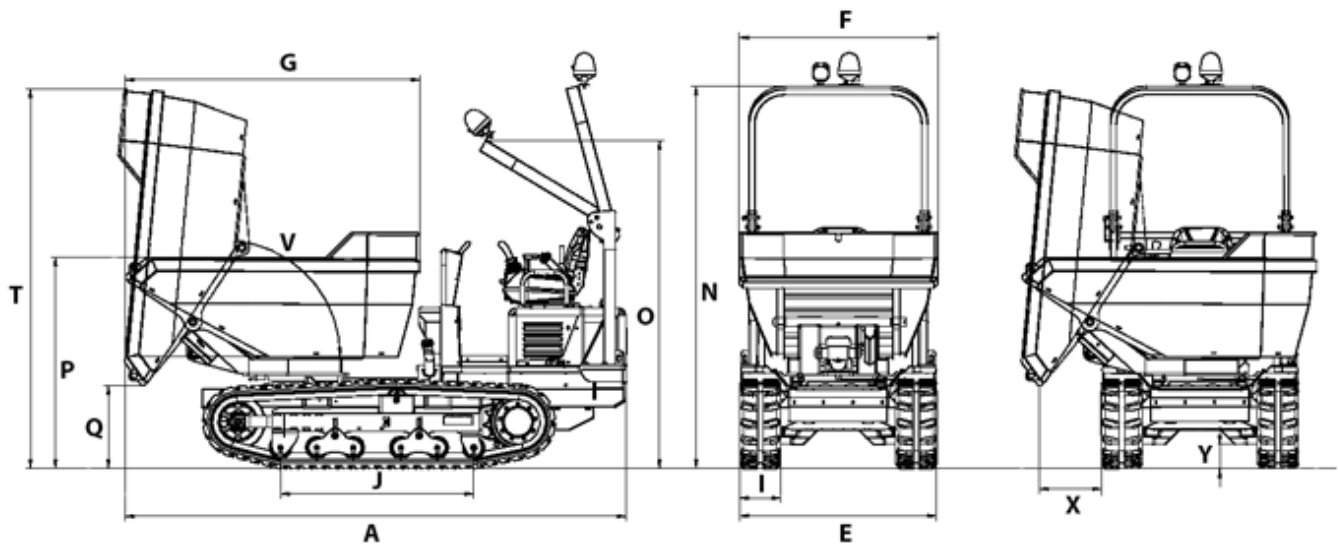
Operating data

Shipping weight	2,285 kg
Payload max.	2,300 kg
Skip capacity level	1,100 l
Skip capacity heaped	1,400 l
L x W x H	3,304 x 1,300 x 2,523 mm

Engine / Motor

Engine / Motor manufacturer	Kubota
Engine / Motor type	V-1505 diesel engine
Engine performance	18.5 kW
at rpm	2,300 rpm
Travel speed 1	3.7 km/h
Travel speed 2	7.5 km/h
Duty pump	2 variable pumps
Max. flow rate	41 + 41 l/min
Duty pump	1 gear pump
Flow rate	24 l/min
Gradeability	27 %
Fuel tank capacity	26 l
Voltage	12 V
Battery	60 Ah

DT23 Dimensions



		Swivel tipp skip
A	Length	3,304 mm
E	Width undercarriage	1,300 mm
F	Skip width	1,312 mm
G	Skip length	1,945 mm
I	Chain width	270 mm
J	Length ground contact chains	1,275 mm
N	Height over ROPS rollbar	2,523 mm
O	Height over ROPS rollbar (folded)	2,163 mm
P	Height of skip front edge	1,393 mm
Q	Dump height max.	547 mm
T	Height max., skip raised	2,505 mm
V	Dump angle skip	85 °
X	Dumping distance lateral	408 mm
Y	Ground clearance	160 mm

Please note: that product availability can vary from country to country. It is possible that information / products may not be available in your country. More detailed information on engine power can be found in the operator's manual; the stated power may vary due to specific operating conditions. Subject to alterations and errors excepted. Applicable also to illustrations.

Copyright © 2021 Wacker Neuson SE.