

DW50

Wheel Dumpers



**WACKER
NEUSON**
all it takes!



Professional material handling - agile, fast and effective.

Compact dimensions provide the agility of the 3-ton class. The DW50 can easily compete with the big ones: an innovative concept of cockpit and driver stand including joystick controls, spring-loaded parking brake and many other well thought out details provide highest ease of use. The payload of 5.000 kg and a driving speed of up to 28 km/h make the DW50 an effective workhorse that can handle lots of material quickly and easily.

- Efficient hydrostatic all-wheel drive with ECO mode for reduced fuel consumption.
- Large servicing and maintenance access: one-piece flip-up engine hood.
- Articulated steering with well-protected integrated hose guiding.
- Up to 28 km/h driving speed for rapid transportation tasks.

DW50 Technical specifications

with swivel tip skip

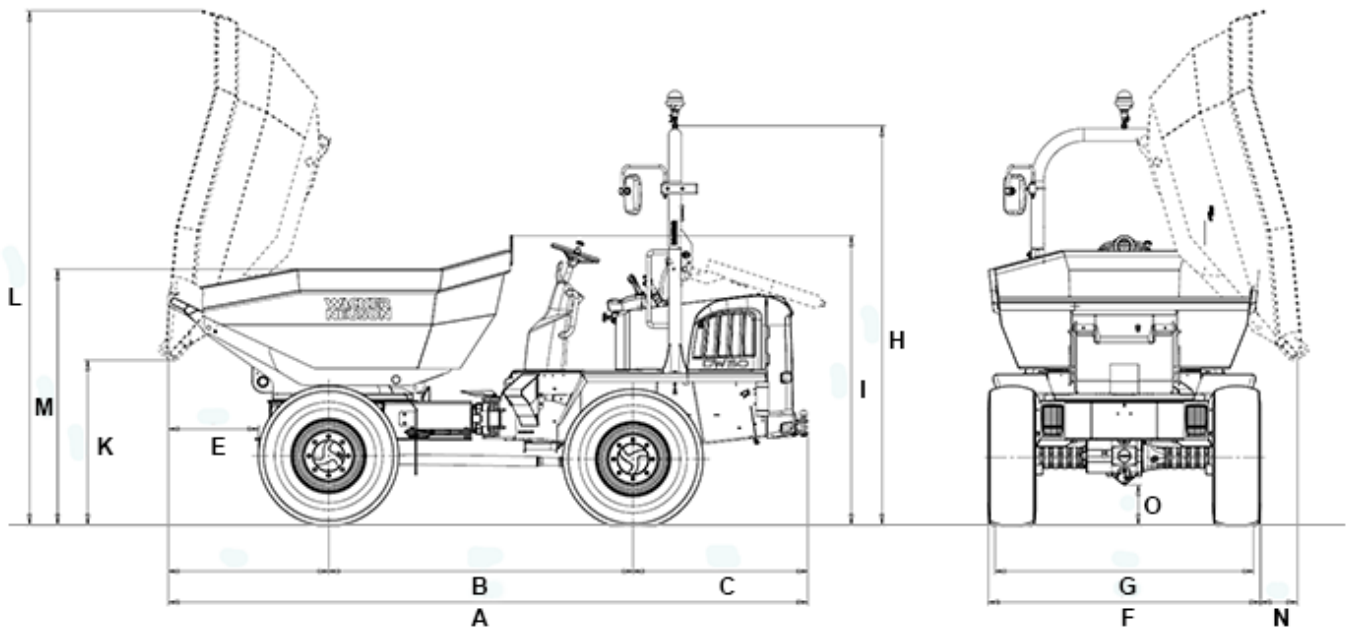
Operating data

Payload	5,000 kg
Shipping weight ROPS	3,445 kg
Skip capacity struck	1,970 l
Skip capacity heaped	2,650 l
Skip capacity water volume	1,280 l

Engine / Motor

Engine / Motor manufacturer	Deutz
Engine / Motor type	TCD 2.9
Engine performance acc. to ISO 3046/1	55.4 kW
Emission standards stage	5
Displacement	2,900 cm ³
Engine RPM	2300 rpm
Travel speed Option	28 km/h
Travel speed	25 km/h
Articulation angle	37 °
Pendulum angle	15 °
Turning radius	4,250 mm
Gradeability	50 %
Tires	12.5 - 18/16
L x W x H	4495 x 1915 x 2815 mm
Steering pump	Axial piston pump
Flow rate	132 l/min
Operating pressure	450 bar
Duty pump	Gear pump
Flow rate	45 l/min
Operating pressure	220 bar
Fuel tank capacity	50 l
Sound level (LwA)	101 dB(A)

DW50 Dimensions



A	Overall length	4,495 mm
B	Wheelbase	2,140 mm
C	Rear overhang	1,230 mm
E	Dumping distance	630 mm
F	Width	1,915 mm
G	Skip width	1,910 mm
H	Height ROPS	2,815 mm
I	Height ROPS down	2,030 mm
K	Dump height max.	1,160 mm
L	Skip height tilted skip	3,620 mm
M	Skip height	1,790 mm
N	Dumping distance	260 mm
O	Ground clearance	290 mm
--	Dump angle	48 °

Please note: that product availability can vary from country to country. It is possible that information / products may not be available in your country. More detailed information on engine power can be found in the operator's manual; the stated power may vary due to specific operating conditions. Subject to alterations and errors excepted. Applicable also to illustrations.

Copyright © 2021 Wacker Neuson SE.