

DW90

Wheel Dumpers



**WACKER
NEUSON**
all it takes!



Unbeatable off-road

Uneven ground conditions are the area of application where the wheel dumper DW90 is most at home. This is where its strengths are displayed to best advantage: hydrostatic 4-wheel drive with ECO mode, exceptional off-road capability, a wear-free spring-loaded parking brake, and a cabin with optional skip grating. The optimum operator environment and the high level of safety features round off the range of the transport giant with a payload of 9,000 kg and a high skip volume.

- Minimum consumption, optimum power use, easy to operate: the hydrostatic 4-wheel drive with automatic ECO mode and automatic brake light
- Standard auto-stop function, which automatically switches off the machine after a set time
- Completely maintenance-free spring-loaded parking brake is automatically activated when the engine is stopped
- The entry in signal color increases safety and gives the steps and handle better visibility.

DW90 Technical specifications

Operating data

Payload	9,000 kg
Shipping weight ROPS	4,268 kg
Shipping weight Cabin	4,583 kg
Operating weight ROPS	4,412 kg
Operating weight Cabin	4,727 kg
Skip capacity struck	3,600 l
Skip capacity heaped	4,500 l
Skip capacity water volume	2,350 l

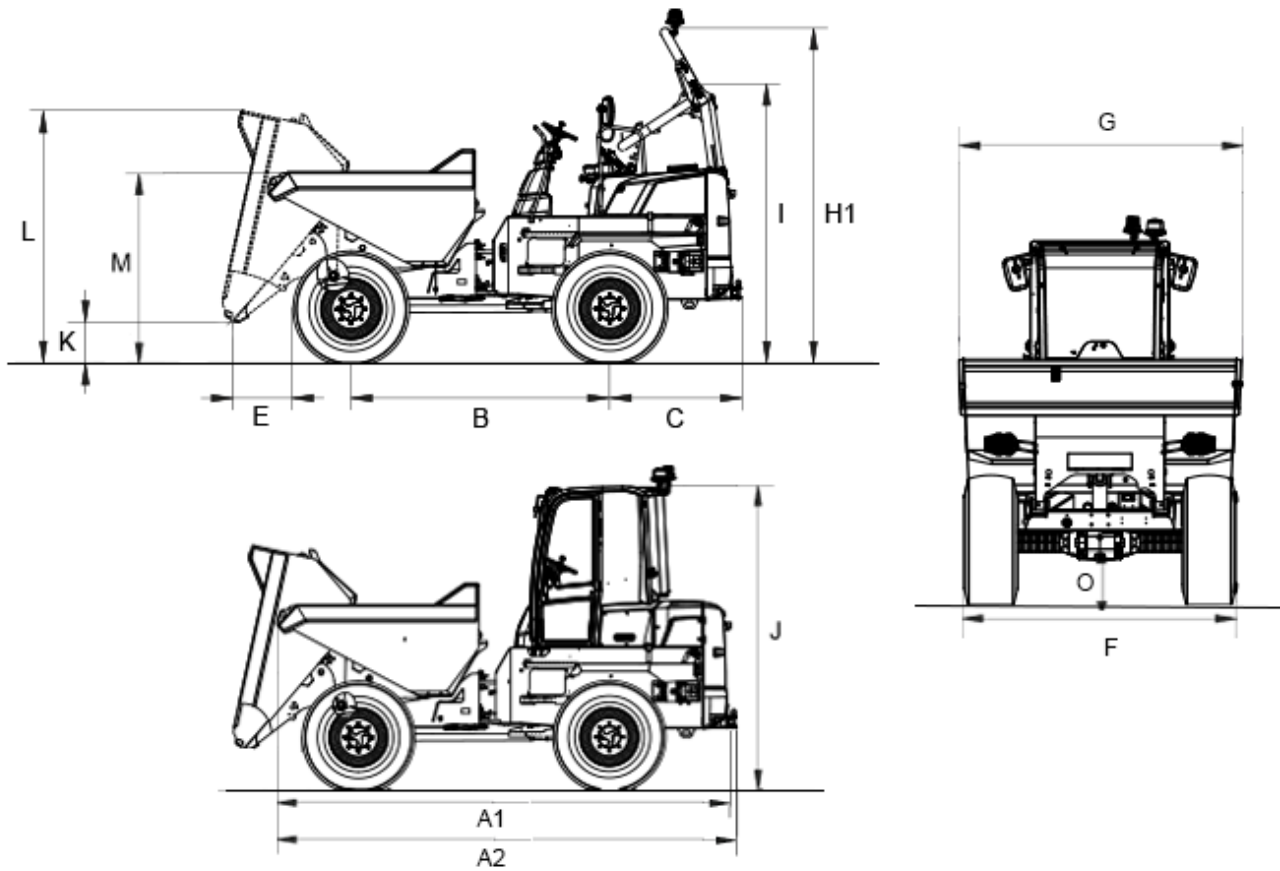
Engine / Motor

Engine / Motor manufacturer	DEUTZ
Engine / Motor type	TD 2.9
Engine / Motor	water-cooled 4-cylinder turbo-diesel
Engine performance according to ISO 3046/1	55.4 kW
Emission standards stage	5
Displacement	2,900 cm ³
Traction drive	4WD, hydrostatic incl. ECO mode
Travel speed	25 km/h
Articulation angle	28 °
Pendulum angle	11.5 °
Turning radius	5,750 mm
Gradeability	50 %
Steering pump	Axial piston pump
Flow rate	123 l/min
Operating pressure	473 bar
Duty pump	External gear pump
Operating pressure	240 bar

Battery

Battery	100 Ah
Battery	14 V

DW90 Dimensions



		Front tip skip
A1	Overall length	4,670 mm
A2	Overall length w/ trailer hitch	4,729 mm
B	Wheelbase	2,700 mm
C	Rear overhang	1,263 mm
E	Dumping distance	514 mm
F	Width	2,420 mm
G	Skip width	2,486 mm
H	Height ROPS	3,280 mm
I	Height ROPS tilted	2,618 mm
J	Height cabine	3,066 mm
K	Dump height max.	374 mm
L	Skip height tilted	2,580 mm
M	Skip height	2,003 mm
O	Ground clearance	396 mm
--	Dump angle	49 °

Please note: that product availability can vary from country to country. It is possible that information / products may not be available in your country. More detailed information on engine power can be found in the operator's manual; the stated power may vary due to specific operating conditions. Subject to alterations and errors excepted. Applicable also to illustrations.

Copyright © 2021 Wacker Neuson SE.