

# ET18

## Tracked Conventional Tail Excavators



**WACKER  
NEUSON**  
*all it takes!*



### Convincing overall performance

With the excavator ET18, Wacker Neuson is setting new standards in the 1.7 to 2.4 ton class. The combination of proven elements and intelligent development approaches provides a plus in performance and efficiency. Sophisticated features such as a large cabin and the two-part windshield mechanism also increase operator comfort.

- Up to 30% increased forces and optimum cooling set standards in operation
- Spacious, flexible and comfortable cabin concept with optimum all-round visibility
- Optimally configurable for individual requirements thanks to numerous options
- The innovative Vertical Digging System (VDS) compensates up to 27% inclination and thus provides an upright sitting position when working on slopes.

## ET18 Technical specifications

### Operating data

Shipping weight min.	1,582 kg
Operating weight	1,725 - 2,203 kg
Biting force max.	11.2 kN
Breakout force max.	18.8 kN
Digging depth max.	2,397 mm
Digging radius max.	3,989 mm
Superstructure slewing speed	10 1/min
L x W x H	3,854 x 990 x 2,289 mm

### Engine / Motor

Engine / Motor manufacturer	Yanmar
Engine / Motor type	3TNV76
Engine / Motor	Water-cooled 3-cylinder diesel engine
Emission standards stage	5
Displacement	1,116 cm <sup>3</sup>
RPM / speed	2,200 rpm
Engine performance acc. to ISO	13.8 kW
Battery voltage	44 Ah
Tank capacity	24 l

### Hydraulic system

Duty pump	Double variable pump
Max. flow rate	23.8 + 23.8 l/min
Duty pump	Gear pump
Max. flow rate	19.1 + 6.5 l/min
Operating pressure for working and traction hydraulics	200 bar
Operating pressure slewing gear	125 bar
RPM / speed superstructure	10 rpm
Hydraulic oil tank content	19 l

### Undercarriage

Travel speed max.	5.3 km/h
Chain width	230 mm
Ground clearance standard undercarriage	210 mm

### Dozer Blade

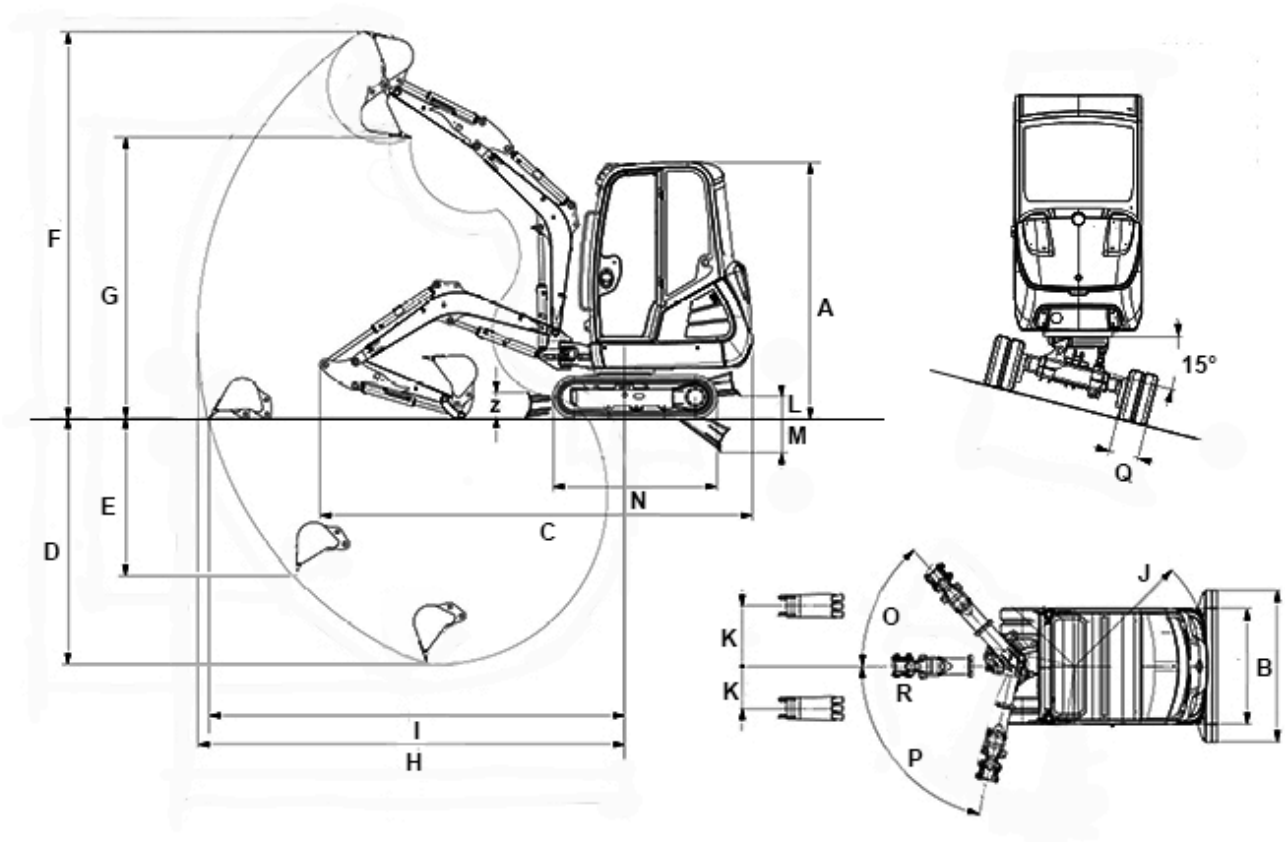
Width	990 mm
Height	230 mm
Stroke standard dozer blade above ground	200 mm
Stroke standard dozer blade below ground	320 mm

### Sound level

Sound level (LwA) acc. to 2000/14/EC	93 dB(A)
--------------------------------------	----------



## ET18 Dimensions



			VDS
A	Height	2,285 mm	2,392 mm
B	Width superstructure	990 mm	990 mm
B	Width undercarriage retracted	990 mm	990 mm
B	Width undercarriage extended (telescopic undercarriage only)	1,300 mm	1,300 mm
B	Width dozer blade	990 mm	990 mm
B	Width dozer blade width with extension (telescopic undercarriage only)	1,300 mm	1,300 mm
C	Transport length	3,854 mm	3,801 mm
D	Digging depth max. (short dipper stick)	2,202 mm	2,095 mm
D	Digging depth max. (long dipper stick)	2,402 mm	2,295 mm
E	Insertion depth max., vertikal (short dipper stick)	1,415 mm	1,309 mm
E	Insertion depth max., vertikal (long dipper stick)	1,600 mm	1,493 mm
F	Insertion height max. (short dipper stick)	3,447 mm	3,553 mm
F	Insertion height max. (long dipper stick)	3,558 mm	3,663 mm
G	Dump height max. (short dipper stick)	2,510 mm	2,611 mm
G	Dump height max. (long dipper stick)	2,621 mm	2,722 mm
H	Digging radius max. (short dipper stick)	3,802 mm	3,802 mm
H	Digging radius max. (long dipper stick)	3,989 mm	3,989 mm
I	Range max. ,on the ground (short dipper stick)	3,700 mm	3,668 mm

I	Range max. ,on the ground (long dipper stick)	3,894 mm	3,864 mm
J	Rear swivel radius min.	1,169 mm	1,169 mm
K	Arm displacement max. , to centre of bucket, right side	516 mm	516 mm
K	Arm displacement max. , to centre of bucket, left side	359 mm	359 mm
L	Lift height max., of dozer blade above ground (short)	198 mm	268 mm
L	Lift height max., of dozer blade above ground (long)	281 mm	357 mm
M	Scraping depth max., of dozer blade below ground (short)	316 mm	251 mm
M	Scraping depth max., of dozer blade below ground (long)	381 mm	308 mm
N	Length Total crawler length (standard undercarriage)	1,462 mm	1,465 mm
N	Length Total crawler length (telescopic undercarriage)	1,607 mm	1,607 mm
--	Length Crawler length Sprocket wheel (standard undercarriage)	1,080 mm	1,079 mm
--	Length Crawler length Sprocket wheel (telescopic undercarriage)	1,225 mm	1,224 mm
O	Turning angle max. of boom system to the right	48 °	48 °
P	Turning angle max. of boom system to the left	77 °	77 °
Q	Chain width	230 mm	230 mm
R	Boom slewing radius centre	1,584 mm	1,584 mm
--	Boom slewing radius right	1,503 mm	1,503 mm
--	Boom slewing radius left max.	1,283 mm	1,283 mm
--	Boom slewing radius left lock	1,374 mm	1,374 mm
Z	Height dozer blade	230 mm	230 mm

Please note: that product availability can vary from country to country. It is possible that information / products may not be available in your country. More detailed information on engine power can be found in the operator's manual; the stated power may vary due to specific operating conditions. Subject to alterations and errors excepted. Applicable also to illustrations.  
Copyright © 2021 Wacker Neuson SE.