

TH522

Telehandler



**WACKER
NEUSON**
all it takes!



Combines power and maneuverability: TH522

The comfortable telehandler TH522 convinces with a perfect combination of powerful engine output and a high level of maneuverability. Thanks to the all-wheel steering and the compact design, the TH522 is skillfully small. Stacking and transport work can therefore be managed quickly and safely, even in a small space. Equipped with sensitive work hydraulics and a hydrostatic drive as a standard, the TH522 allows for extremely precise maneuvering.

- Innovative driver-assist system VLS (Vertical Lift System)
- Low installation height and width under 2 x 2 meters
- Small inside radius of 1,193 mm.
- Over 5 meters lifting height
- Very good view of the attachment

TH522 Technical specifications

Operating data

Lift height max.	5,056 mm
Weight	4,200 kg
Turning radius tires	3,281 mm
Total rotation angle of the tool carrier	144 °

Engine / Motor

Engine / Motor manufacturer	Perkins
Engine / Motor type	404J-E22T
Engine performance	45 kW
Displacement	2,200 cm ³
Emission standards stage	V
Exhaust aftertreatment system	DPF + DOC

Power transmission

Traction drive	hydrostatic
Speed stage 1	0-7 km/h
Speed stage 2 (optional)	0-20 (30) km/h
Service brake central	Parking brake on all four wheels effective
Standard tires	10.5/80-18 AS ET0

Steering and operating hydraulics

Steering angle max.	2x40 °
Flow rate	70 l/min
Flow rate optional	106 l/min

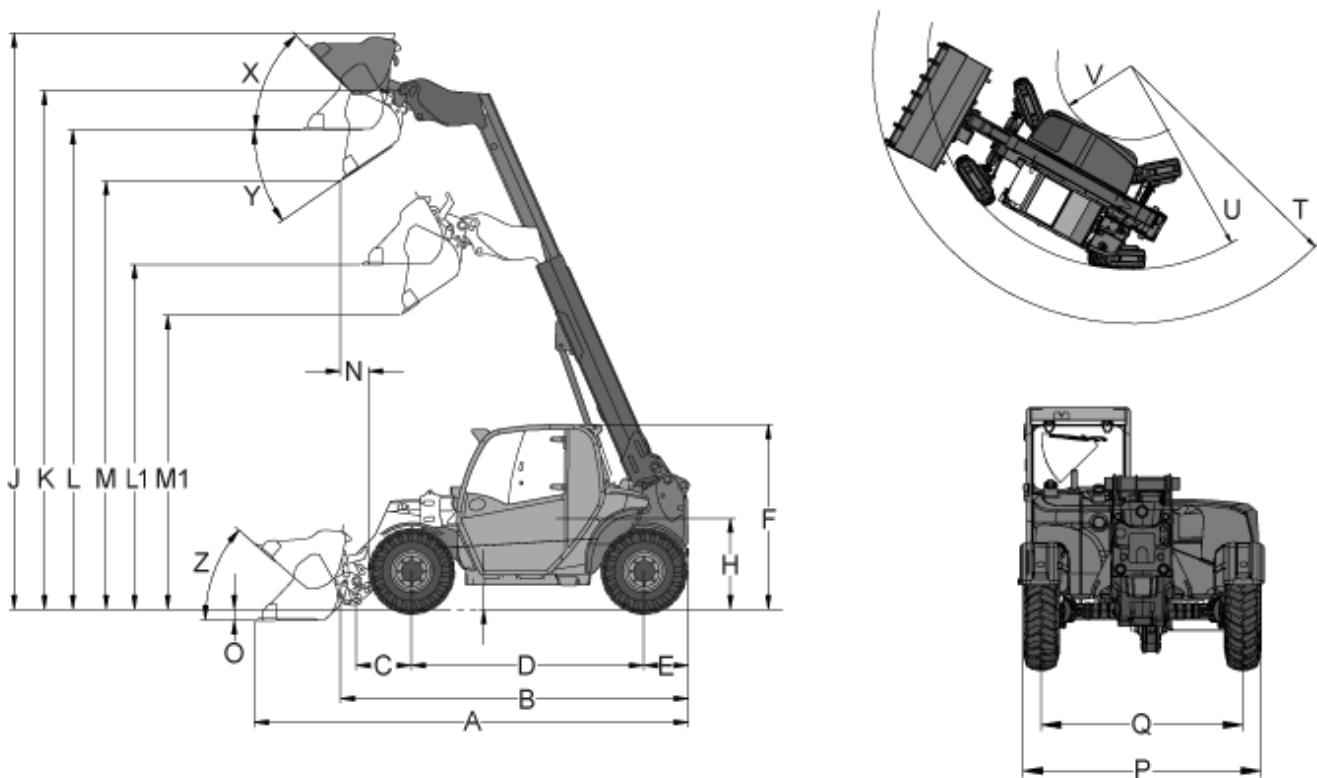
Kinematics

Payload max.	2,200 kg
--------------	----------

Filling capacities

Fuel tank capacity	70 l
Hydraulic oil tank	55 l

TH522 Dimensions



		10.5/80-18 AS ET0
	Standard tires	10.5/80-18 AS ET0
A	Overall length	4,576 mm
B	Overall length without bucket	3,747 mm
C	Bucket pivot point to axle center	581 mm
D	Wheelbase	2,449 mm
E	Rear overhang	472 mm
F	Height with cabin	1,950 mm
H	Seat height	962 mm
J	Total operating height	6,074 mm
K	Stroke height max. - bucket pivot point	5,471 mm
L1	Overhead loading height retracted telescopic arm	3,638 mm
L	Overhead loading height extended telescopic arm	5,056 mm
M1	Dump height max. retracted telescopic arm	3,103 mm
M	Dump height max. extended telescopic arm	4,520 mm
N	Range at M	293 mm
O	Scraping depth	111 mm
P	Overall width	1,808 mm
Q	Track width	1,530 mm
S	Ground clearance	256 mm
T	Radius (max.)	4,153 mm

U	Radius at outer edge	3,281 mm
V	Inside turning radius	1,193 mm
X	Bucket rollback at max. stroke height	46.5 °
Y	Dump angle (max.)	34.5 °
Z	Bucket rollback at ground level	41 °

Please note: that product availability can vary from country to country. It is possible that information / products may not be available in your country. More detailed information on engine power can be found in the operator's manual; the stated power may vary due to specific operating conditions. Subject to alterations and errors excepted. Applicable also to illustrations.

Copyright © 2021 Wacker Neuson SE.