

WL20

Articulated Wheel Loaders



**WACKER
NEUSON**
all it takes!



Multi-talent in confined spaces

The Wacker Neuson wheel loader WL20 is ready to work anywhere - in the narrowest of lanes.

And not only that: The wheel loader also provides first-class work results, even in the tightest of working conditions, convincing across the board. In addition to high working comfort and excellent safety standards, the wheel loader WL20 offers extreme maneuverability, speed, is space-saving in application and is easy to transport from construction site to construction site.

- Extreme maneuverability, narrow passage width and high workplace comfort
- Hydrostatic all-wheel drive and articulated pendulum steering
- Two different driver's cabins are available: Fixed operator's canopy and fold-down operator's canopy
- High safety standards
- Large selection of attachments

WL20 Technical specifications

WL20

	Operator's canopy	Cabin*
Engine / Motor		
Engine / Motor manufacturer	Perkins	Perkins
Engine / Motor type	403 J-11	403 J-11
Cylinder	3	3
Engine performance kW	18.4	18.4
at rpm maximum rpm	2,800	2,800
Displacement cm ³	1,131	1,131
Coolant type	Water	Water
Exhaust after treatment	-	-
Emission standards stage	V	V
Electrical system		
Operating voltage V	12	12
Battery Ah	77	77
Alternator A	40	65
Weights		
Operating weight kg	2,000	2,150
Tipping load with bucket - machine straight kg	1,215	1,437
Tipping load with bucket - machine at angle kg	977	1,206
Tipping load with pallet fork - machine straight kg	904	970
Tipping load with pallet fork - machine at angle kg	719	866
Vehicle data		
Bucket capacity standard bucket m ³	0.2	0.2
Traction drive	Hydrostatic via universal joint shaft	Hydrostatic via universal joint shaft
Axles (optional)	T80 (T94)	T94
Drivers cab (optional)	FSD (EPS, EPS Plus, cabin)	Cabin
Speed (optional) km/h	0-20	0-20
Speed Level	2	2
Standard tires	27x10.50-15 EM ET-5	27x10.50-15 EM ET-5
Hydraulic system		
Driving hydraulics - operating pressure bar	330	330
Operating hydraulics - operating pressure bar	225	225
Operating hydraulics - discharge capacity l/min	30.8	36.4
Filling capacities		
Fuel tank capacity l	20	20
Engine oil l	4	4.5
Hydraulic oil tank l	20	20

	Operator's canopy	Cabin*
Hydraulic system I	37	37
Coolant I	4.3	5.5
Sound level		
Guaranteed sound power level L _{WA} dB(A)	101	101
Specified sound pressure level L _{pA} dB(A)	85	85

Standard bucket = digging bucket, 1,150 mm width

FSD = Operator's canopy

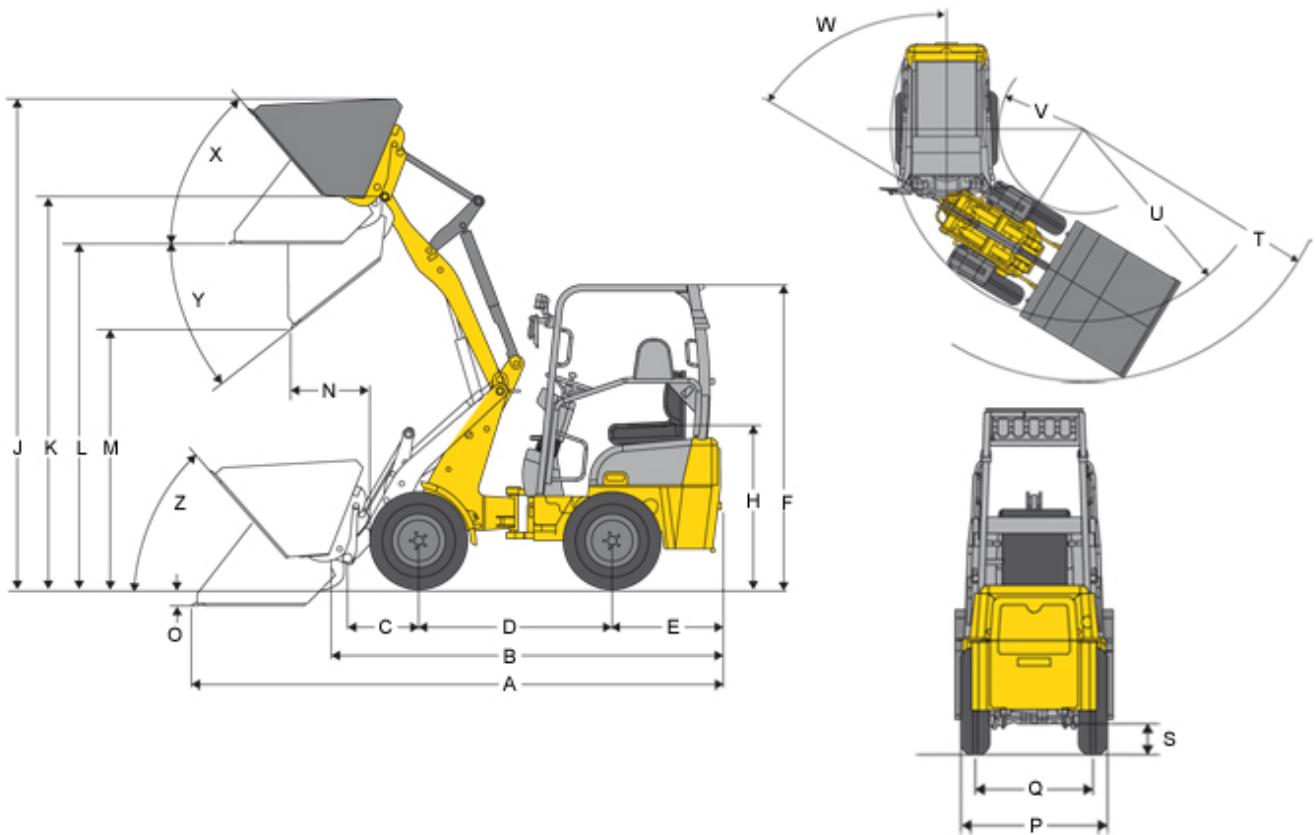
EPS = Easy Protection System (fold-down operator's canopy)

EPS Plus = Easy Protection System Plus (hydraulically lowerable operator's canopy)

Tipping load calculation according to ISO 14397-EN474-3

*Equipment version (cabin, T94 axle)

WL20 Dimensions



	Standard tires	27x10.5-15 EM ET-5
A	Overall length	3,721 mm
B	Overall length without bucket	3,063 mm
C	Bucket pivot point to axle center	508 mm
D	Wheelbase	1,468 mm
E	Rear overhang	975 mm
F	Height with operator's canopy	2,189 mm
F	Height with fold-down operator's canopy (EPS)	2,293 mm
F	Height with fold-down operator's canopy (EPS), folded-down	1,880 mm
F	Height with lowerable operator's canopy (EPS Plus)	2,195 mm
F	Height with lowerable operator's canopy (EPS Plus), lowered	1,901 mm
F	Height with cabin	2,302 mm
H	Seat height	1,225 mm
J	Total operating height	3,274 mm
K	Stroke height max. - bucket pivot point	2,693 mm
L	Overhead loading height	2,424 mm
M	Dump height max.	2,011 mm
N	Range with M	350 mm
O	Scraping depth	94 mm
P	Overall width	1,076 mm

Q	Track width	810 mm
S	Ground clearance	207 mm
T	Radius maximum	2,681 mm
U	Radius at outer edge	2,356 mm
V	Inside turning radius	1,219 mm
W	Articulation angle	45 °
X	Bucket rollback at max. stroke height	50 °
Y	Dump angle max.	38 °
Z	Bucket rollback at ground level	48 °

All values with standard bucket: Digging bucket 1,150 mm, 0.2 m³ and standard tires: 27 x 10.5-15 EM ET-5

Please note: that product availability can vary from country to country. It is possible that information / products may not be available in your country. More detailed information on engine power can be found in the operator's manual; the stated power may vary due to specific operating conditions. Subject to alterations and errors excepted. Applicable also to illustrations.

Copyright © 2021 Wacker Neuson SE.