

# WL25

## Articulated Wheel Loaders



**WACKER  
NEUSON**  
*all it takes!*



### The loader for more flexibility

Confined spaces need one thing above all else: more flexibility. This is exactly what the Wacker Neuson wheel loader WL 25 offers with its three different driver's cabins.

The customer chooses between a cabin, fixed operator's canopy and fold-down operator's canopy. The machine can therefore be individually adapted to the work process.

- Extreme maneuverability, low passage width and high workplace comfort ?narrow passage width
- Hydrostatic all-wheel drive and articulated pendulum steering
- Fold-down driver's cabin offers optimal service accessibility
- Three different driver's cabins can be selected: Cabin, fixed operator's canopy and fold-down operator's canopy
- Large selection of attachments

## WL25 Technical specifications

WL25

	Operator's canopy	Cabin*
<b>Engine / Motor</b>		
Engine / Motor manufacturer	Perkins Turbo	Perkins Turbo
Engine / Motor type	403J-17T	403J-17T
Cylinder	3	3
Engine performance kW	18.4	18.4
at rpm maximum rpm	2,800	2,800
Displacement cm <sup>3</sup>	1,662	1,662
Coolant type	Water	Water
Emission standards stage	V	V
<b>Electrical system</b>		
Operating voltage V	12	12
Battery Ah	77	77
Alternator A	65	65
<b>Weights</b>		
Operating weight kg	2,380	2,520
Tipping load with bucket - machine straight kg	1,393	1,652
Tipping load with bucket - machine at angle kg	1,144	1,353
Tipping load with pallet fork - machine straight kg	1,096	1,297
Tipping load with pallet fork - machine at angle kg	975	1,052
<b>Vehicle data</b>		
Bucket capacity standard bucket m <sup>3</sup>	0.3	0.3
Axles	T94	T94
Drivers cab (optional)	FSD (EPS, cabin)	Cabin
Speed (optional) km/h	0-20	0-20
Speed level 2 km/h	0-20	0-20
Speed Level	2	2
Standard tires	10-16.5 EM ETO	31x15.50-15 AS ETO
<b>Hydraulic system</b>		
Driving hydraulics - operating pressure bar	450	450
Operating hydraulics - operating pressure bar	185	185
Operating hydraulics - discharge capacity l/min	44.8	44.8
<b>Filling capacities</b>		
Fuel tank capacity l	45	45
Engine oil l	5	5
Hydraulic oil tank l	27	27
Hydraulic system l	36	36

	Operator's canopy	Cabin*
Coolant l	7.5	7.5
<b>Sound level</b>		
Guaranteed sound power level LwA dB(A)	101	101
Specified sound pressure level LpA dB(A)	82	82

Standard bucket = digging bucket, 1,250 mm width

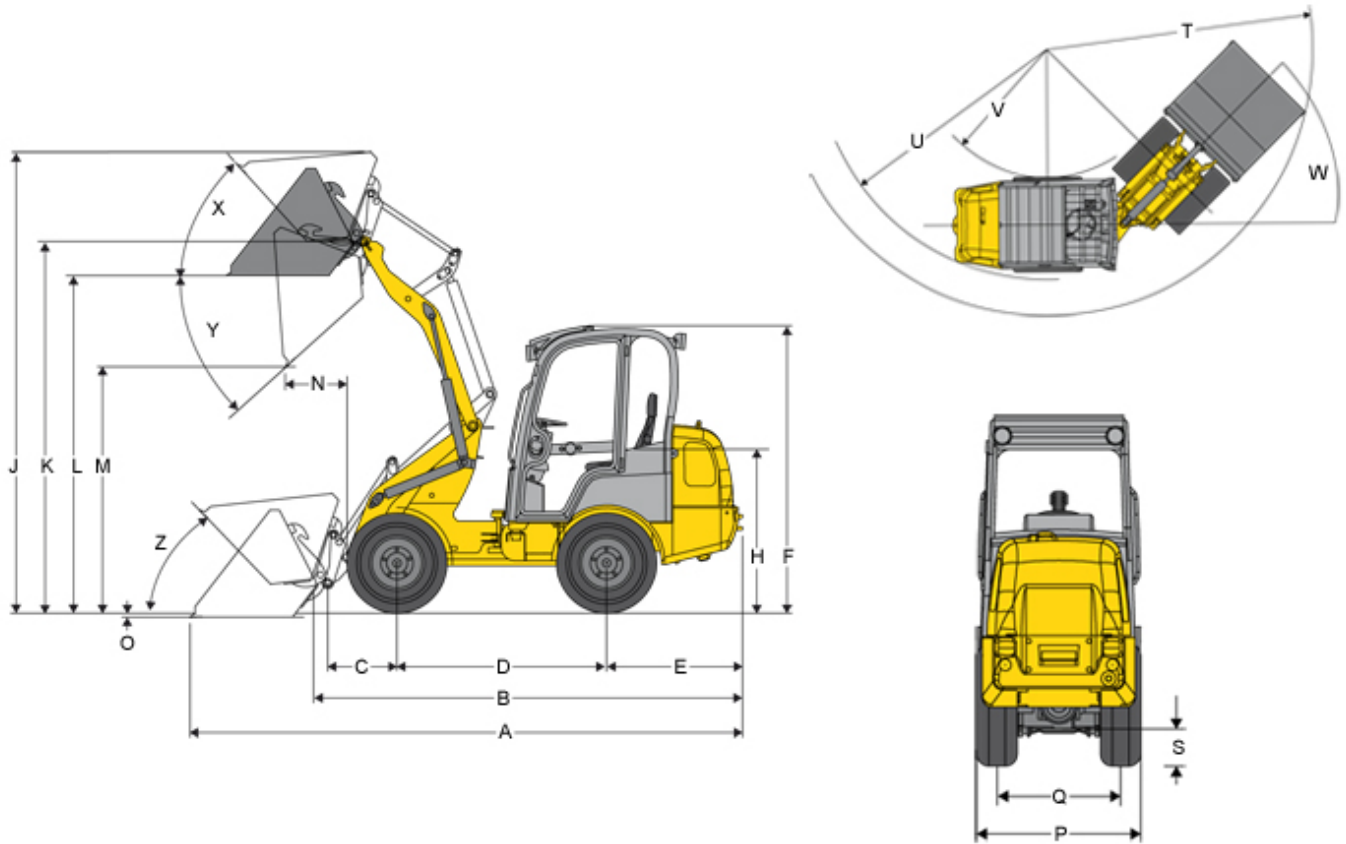
FSD = Operator's canopy

EPS = Easy Protection System (fold-down operator's canopy)

Tipping load calculation according to ISO 14397-EN474-3

\*Equipment version (cabin, counterweight floor plate 97 kg, tires 31x15.50-15 AS ET0)

## WL25 Dimensions



	Standard tires	10-16.5 EM ET0
A	Overall length	4,087 mm
B	Overall length without bucket	3,302 mm
C	Bucket pivot point to axle center	532 mm
D	Wheelbase	1,612 mm
E	Rear overhang	1,045 mm
F	Height with operator's canopy	2,187 mm
F	Height with fold-down operator's canopy (EPS)	2,291 mm
F	Height with fold-down operator's canopy (EPS), folded-down	1,877 mm
F	Height with cabin	2,208 mm
H	Seat height	1,259 mm
J	Total operating height	3,582 mm
K	Stroke height max. - bucket pivot point	2,862 mm
L	Overhead loading height	2,573 mm
M	Dump height max.	2,047 mm
N	Range with M	337 mm
O	Scraping depth	50 mm
P	Overall width	1,210 mm
Q	Track width	940 mm
S	Ground clearance	250 mm

T	Radius maximum	2,912 mm
U	Radius at outer edge	2,590 mm
V	Inside turning radius	1,330 mm
W	Articulation angle	45 °
X	Bucket rollback at max. stroke height	48 °
Y	Dump angle max.	42 °
Z	Bucket rollback at ground level	46 °

All values with standard bucket: Digging bucket 1,250 mm, 0.27 m<sup>3</sup> and standard tires: 10-16.5 EM ET0

Please note: that product availability can vary from country to country. It is possible that information / products may not be available in your country. More detailed information on engine power can be found in the operator's manual; the stated power may vary due to specific operating conditions. Subject to alterations and errors excepted. Applicable also to illustrations.  
 Copyright © 2021 Wacker Neuson SE.