

DV60

Dual View Trucks



**WACKER
NEUSON**
all it takes!



Safe like a truck, compact like a dumper

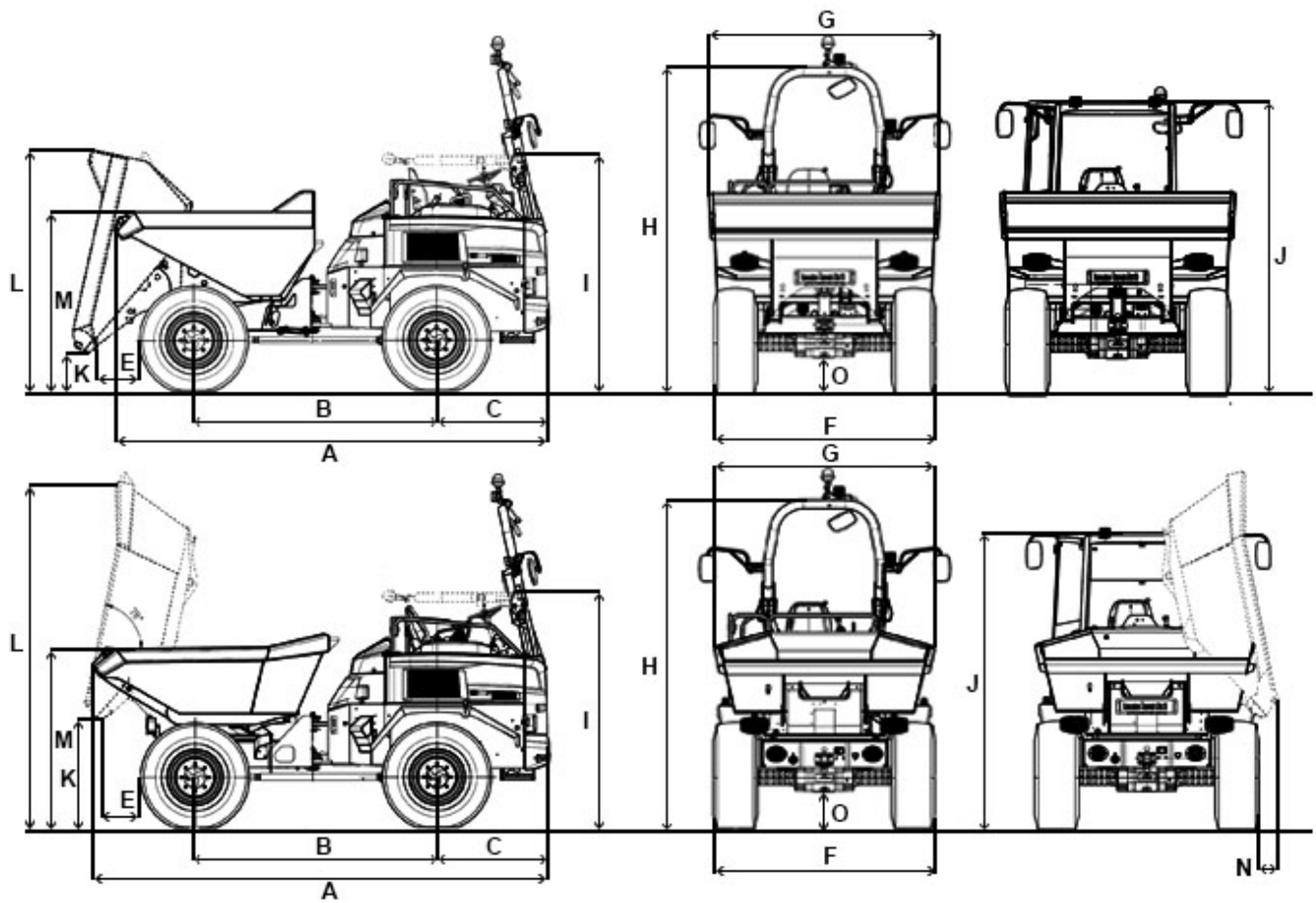
The driver's cab concept allows the operator to turn the seat and console 180 degrees to determine the viewing and driving direction. The rotation can be conveniently performed from the driver's seat by simple unlocking the seat console and then turn it around.

- High driving and working position
- Hydrostatic drive
- More ease of use thanks to the ergonomic rotary console
- Comfort cabin

DV60 Technical specifications

| | Front tip skip | Swivel tip skip |
|--|--------------------------------------|--------------------------------------|
| Operating data | | |
| Payload kg | 6,000 | 6,000 |
| Shipping weight standard components kg | 4,002 | 4,209 |
| Shipping weight kg | 4,002 - 4,327 | 4,209 - 4,534 |
| Operating weight kg | 4,148 - 4,473 | 4,355 - 4,680 |
| Skip capacity - stroke l | 2,700 | 2,350 |
| Skip capacity - heaped l | 3,600 | 3,150 |
| Skip capacity - water measure l | 1,900 | 1,600 |
| Engine / Motor | | |
| Engine / Motor manufacturer | DEUTZ | DEUTZ |
| Engine / Motor type | TD2.9 L4 | TD2.9 L4 |
| Engine / Motor | water-cooled 4-cylinder turbo-diesel | water-cooled 4-cylinder turbo-diesel |
| Engine performance kW | 55.4 | 55.4 |
| Displacement cm ³ | 2,900 | 2,900 |
| Engine RPM rpm | 2200 | 2200 |
| Emissions | V | V |
| Traction drive | 4WD / hydrostatic | 4WD / hydrostatic |
| Travel speed max. km/h | 30 | 30 |
| Articulation angle ° | 29 | 29 |
| Pendulum angle ° | 11 | 11 |
| Turning radius mm | 6,100 | 5,980 |
| Gradeability % | 55 | 55 |
| Tires | 405/70-20 | 405/70-20 |
| L x W x H mm | 4,450 / 2,230 / 3,377 | 4,450 / 2,230 / 3,377 |
| Steering pump | axial piston pump | axial piston pump |
| Flow rate l/min | 123 | 123 |
| Operating pressure bar | 480 | 480 |
| Duty pump | gear pump | gear pump |
| Flow rate l/min | 70.2 | 70.2 |
| Operating pressure bar | 240 | 240 |
| Tank capacity l | 80 | 80 |
| Sound level (LwA) dB(A) | 101 | 101 |

DV60 Dimensions



| | | Front tip skip | Swivel tip skip |
|---|------------------------------|----------------|-----------------|
| A | Overall length ROPS | 4,448 mm | 4,699 mm |
| A | Overall length Cabin | 4,448 mm | 4,699 mm |
| B | Wheelbase | 2,485 mm | 2,485 mm |
| C | Rear overhang | 1,157 mm | 1,157 mm |
| E | Dumping distance | 565 mm | 456 mm |
| F | Width | 2,230 mm | 2,230 mm |
| G | Skip width | 2,328 mm | 2,218 mm |
| H | Height ROPS | 3,377 mm | 3,377 mm |
| I | Height ROPS tilted | 2,400 mm | 2,400 mm |
| J | Height Cabin | 2,940 mm | 2,940 mm |
| K | Dump height max. | 385 mm | 1,100 mm |
| L | Skip height tilted | 2,463 mm | 3,639 mm |
| M | Skip height | 1,828 mm | 1,981 mm |
| N | Dumping distance to the side | | 69 mm |
| O | Ground clearance | 370 mm | 370 mm |
| - | Dump angle | 50 ° | 48 ° |

Please note: that product availability can vary from country to country. It is possible that information / products may not be available in your country. More detailed information on engine power can be found in the operator's manual; the stated power may vary due to specific operating conditions. Subject to alterations and errors excepted. Applicable also to illustrations.
Copyright © 2022 Wacker Neuson SE.