



## DW40

### Wheel dumpers

Reliable, safer and durable for material handling

With modern engine technology, the wheel dumper fleet can reach a speed of 15.5 mph with a total payload of four metric tons. In doing so, the operator can rely on very high safety standards: The skip and tilt monitoring warns the operator of an unsafe use of the machine, while the cameras to the front and rear, including a washing system, provide the surroundings on a large 7-inch display. These and many other safety features make the DW40 a partner on the construction site, which can prevent accidents and noticeably increase the operator's level of comfort.

### Highlights

- Hill-Hold function
- Skip monitoring
- Hydrostatic 4-wheel drive
- Inclination monitoring
- Seat belt monitoring with start release

### Technical Data

#### ■ Mechanical Details

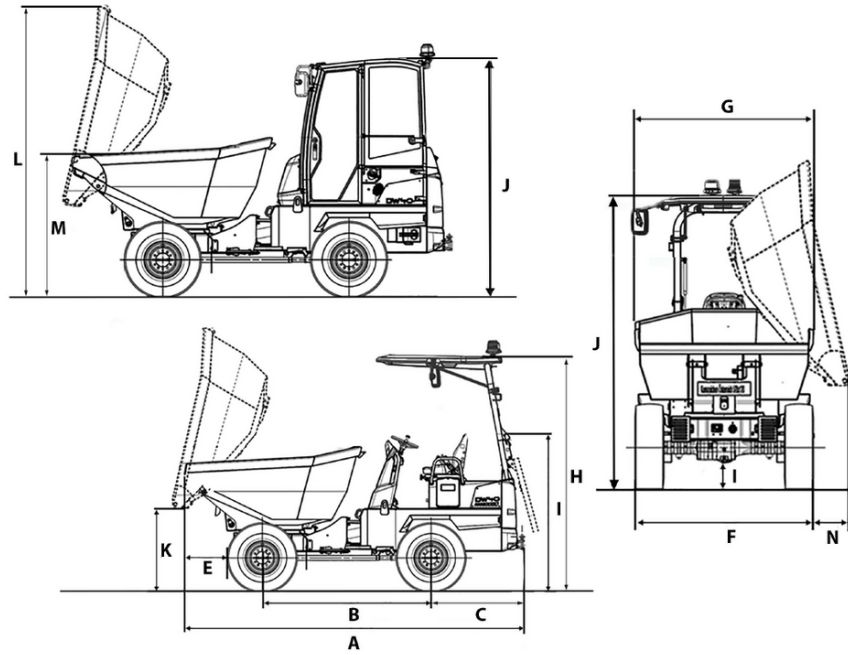
Payload	8,818.5 lb
skip	Swivel skip
Skip capacity levelled	475.5 gal US
Skip capacity heaped	607.6 gal US
Skip capacity waterlevel	314.4 gal US
Operating weight (min.-max.)	5,820.2 - 6,503.6 lb

#### ■ Engine

Cooling	Water-cooling
---------	---------------

Engine type	Diesel engine
Cylinder	3.0
Cylinder capacity	101.5 Inch <sup>3</sup>
Effective power	48.3 hp
Nominal Engine speed	2,800.0 1/min
Exhaust-gas limit	EU Stage V
Starter battery Voltage	12.0 V
Manufacturer	Perkins
Engine designation	403J-E17T

## Dimensions



A	Total length	168.1 in
B	Wheel base	82.3 in
C	Rear overhang	42.2 in
E	Dumping width	22.3 in
F	Width of vehicle	70.1 in
G	Width of skip	70.1 in
H	Height ROPS	112.5 in
I	Height of ROPS tilted	76.6 in
J	Height with cab	105.9 in
K	Dumping height max.	39.9 in
L	Skip height tilted	129.8 in
M	Skip height	62.3 in
N	Dumping width lateral	9.3 in
O	Ground clearance	10.1 in