



## TH412e Telehandlers

Electric, environmentally-friendly, and powerful

The Th412e is the first pure electrically-operated telehandler by Wacker Neuson. Its power ratings correspond to those of a conventional diesel-operated machine. The installed 96-Volt lithium-ion battery is available in two power ratings so that the running and charging times can be optimally coordinated with the work requirements. The TH412e works on-site completely free from exhaust gases and with significantly lower noise emissions. For the end user, this means greater flexibility in application, environmental protection and significant savings with operating costs. As a result, features such as compact dimensions, all wheel steering, low center of gravity, and excellent stability are likewise true of the electrically-driven machine.

### Highlights

- Powerful lithium-ion battery
- Easy charging options
- Digital display
- Electric parking brake
- Compact dimensions in the {2 x 2 m}{79 x 79 in} class

### Technical Data

#### ■ Hydraulic

Operating pressure	220.0 bar
Flow rate	28.0 l/min
Tank capacity	36.0 l

#### ■ Mechanical - Output Details

Travel speed stage 1	0.0 - 7.0 km/h
Travel speed stage 2	0.0 - 25.0 km/h

#### ■ Mechanical Details

Weight	2,950.00 kg
--------	-------------

Payload max.	1,210.0 kg
Payload lift max.	712.0 kg
Lift bucket swivel	4,537.0 mm

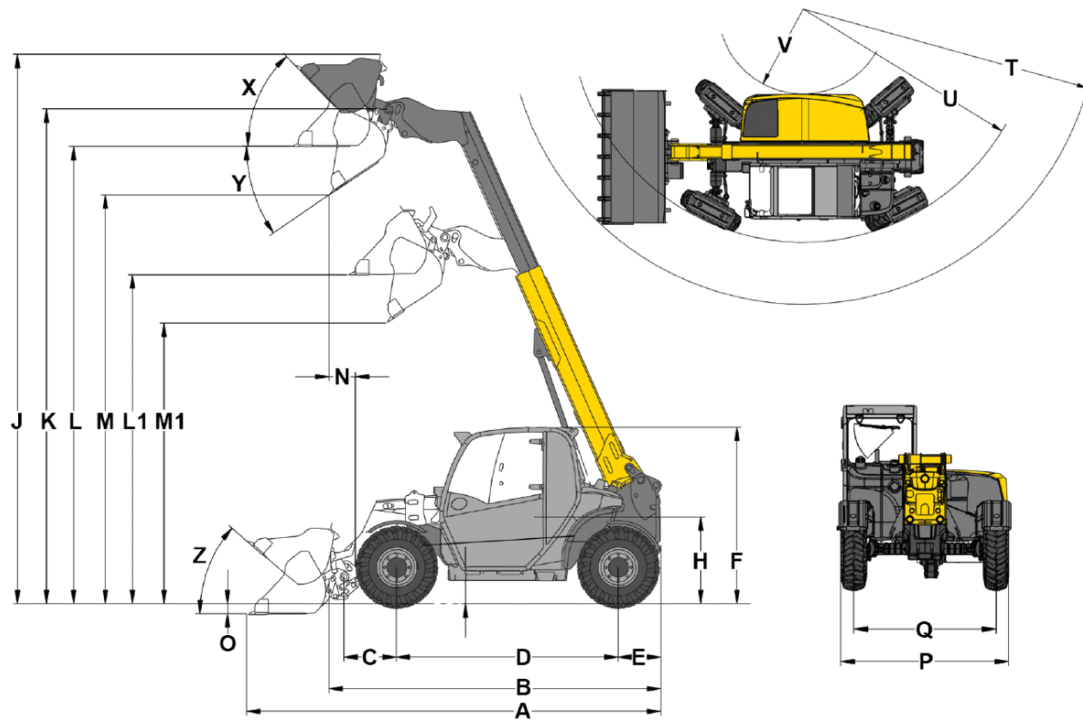
#### ■ Environment Data

Sound power LWA, measured	85.7 dB(A)
Sound power LWA, guaranteed	87.0 dB(A)

#### ■ Chassis

Turning radius	2,695.0 mm
Operating pressure	320.0 bar

## Dimensions



A	Total length	3,944 mm
B	Total length without bucket	2,991 mm
C	Bucket pivot point (to center of axle)	450 mm
D	Wheel base	1,922 mm
E	Rear overhang	427 mm
F	Height with cab	1,995 mm
H	Seat height	978 mm
J	Total working height	5,280 mm
K	Bucket pivot point (max. lift height)	4,537 mm
L1	Load-over height telescopic arm retracted	2,949 mm
L	Load-over height telescopic arm extended	4,163 mm
M1	Dumping height telescopic arm retracted	2,415 mm
M	Dumping height telescopic arm extended	3,630 mm
N	Reach (at M)	557 mm
O	Digging depth	96 mm
P	Total width	1,564 mm
Q	Track width	1,235 mm
S	Ground clearance	294 mm
T	Maximum radius	3,506 mm
U	Radius on the outer edge	2,695 mm
V	Inner radius	951 mm
X	Rollback angle at max. lift height	52 °
Y	Dumping angle	31 °
Z	Rollback angle on ground	44 °