



## DW20

### Wheel dumper

Off-road capable and easy to handle

The DW20 has a modern hydrostatic drive system and the articulated pendulum joint typical for Wacker Neuson wheel dumpers. The durable and fully wear-free spring-loaded parking brake provides increased safety when the machine is not in use. For special applications that require a lower tipping height, the DW20 can be equipped with an asphalt skip. The optionally available swivel tip skip with self-loading equipment also makes it completely independent from other machines on the construction site. Other skip versions round off the wide variety of application areas.

### Highlights

- Hydrostatic 4-wheel drive
- Extended maintenance intervals
- Spring-loaded parking brake
- Auto-stop function
- Asphalt skip

### Technical Data

#### Hydraulic

Operating pressure	200.0 bar
hydraulikpump	ZRP
Flow rate	33.0 l/min

#### Mechanical - Output Details

Gradeability	80.0 %
Travel speed	20.0 km/h

#### Mechanical Details

Length	3,923.0 - 3,952.0 mm
Width	1,497.0 mm
Height	2,929.0 mm
Weight	1,899.00 kg
Payload	2,000.0 kg
Skip capacity levelled	780.0 l
Skip capacity heaped	1,060.0 l
Skip capacity waterlevel	630.0 l
Pendulum angle	15.0 °
Operating weight (min.-max.)	1,955.0 - 2,545.0 kg

#### Engine

Cooling	Water-cooling
---------	---------------

Engine type	Diesel engine
Cylinder	3.0
Cylinder capacity	1,116.0 cm <sup>3</sup>
Effective power	18.9 KW
Nominal Engine speed	3,000.0 1/min
Exhaust-gas limit	EU Stage V
Manufacturer	Yanmar
Engine designation	3TNV76-UDWN

#### Environment Data

Sound power LWA, guaranteed	101.0 dB(A)
-----------------------------	-------------

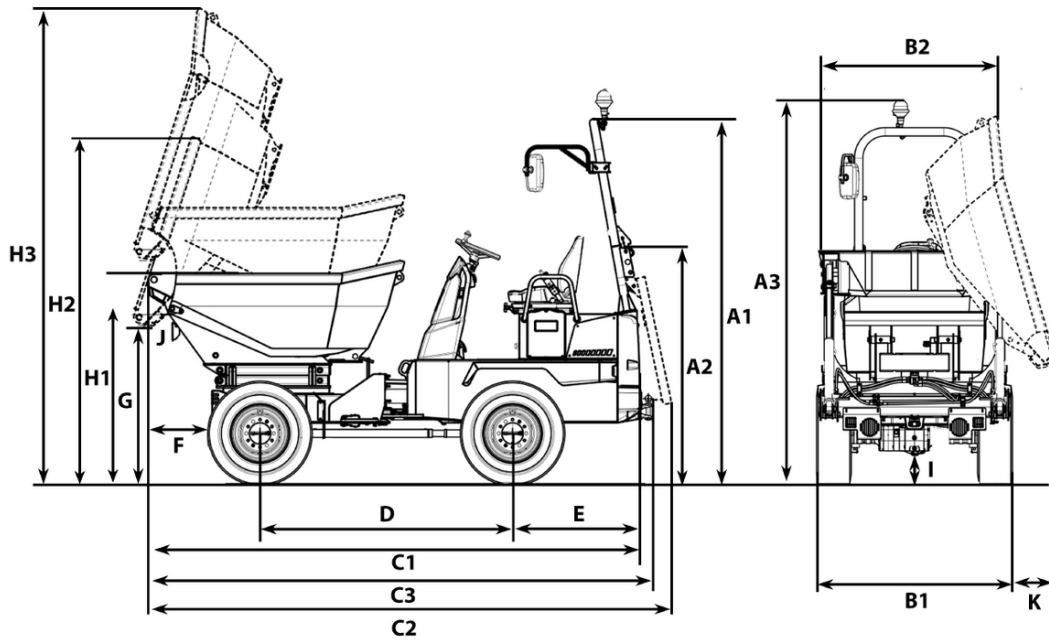
#### Chassis

Turning radius	3,700.0 mm
Articulation angle	36.0 °
drive unit	Swash plate motor
hydraulikpump	Axialpistonpump
Operating pressure	445.0 bar
Flow rate	66.0 l/min
tires	10.0/75-15.3 10PR

#### Shipping and Storage

Shipping weight	1,849.0 kg
-----------------	------------

## Dimensions



A1	Height ROPS	2,760 mm
A2	Height of ROPS tilted	1,770 mm
A3	Height ROPS with rotating beacon	2,906 mm
B1	Width of vehicle	1,497 mm
B2	Width of skip	1,490 mm
C1	Total length ROPS	3,710 mm
C2	Total length ROPS tilted	3,984 mm
C3	Total length with towing device	3,788 mm
D	Wheel base	1,882 mm
E	Rear overhang	963 mm
F	Dumping width	649 mm
G	Dumping height max.	205 mm
H1	Skip height	1,433 mm
H2	Skip height tilted	2,034 mm
I	Ground clearance	217 mm
J	Dumping angle	48 °