



## DW60

### Wheel dumper

#### Efficient load carrier

The DW60 represents one of the larger wheel dumpers from Wacker Neuson. The environmentally conscious, modern turbo diesel engine protects the environment without having to sacrifice productivity. Constant traction, hydrostatic brake effect and the fully-equipped optional cab ensure fatigue free work. And even with all the comfort, safety and performance are not sacrificed. Additional safety options and a broad range of equipment options complete the machine.

## Highlights

- Spring-loaded parking brake
- Sturdy skip guard
- Joystick operation
- Auto-stop function
- Hydrostatic 4-wheel drive with automatic ECO mode

## Technical Data

### Hydraulic

Operating pressure	240.0 bar
hydraulikpump	ZRP
Flow rate	59.0 l/min
Tank capacity	64.0 l

### Mechanical - Output Details

Gradeability	60.0 %
Travel speed	25.0 km/h

### Mechanical Details

Length	4,575.0 mm
Width	2,250.0 mm
Height	3,110.0 mm
Weight	4,483.00 kg
Weight cabin	4,683.0 kg
Weight ROPS	4,483.0 kg
Payload	6,000.0 kg
skip	Front tip skip
Skip capacity levelled	2,650.0 l
Skip capacity heaped	3,500.0 l
Skip capacity waterlevel	1,900.0 l
Pendulum angle	11.0 °

Operating weight (min.-max.)	3,799.0 - 4,611.0 kg
------------------------------	----------------------

### Engine

Cooling	Water-cooling
Engine type	Turbodieselengine
Cylinder	3.0
Cylinder capacity	2,194.0 cm3
Effective power	44.5 KW
Nominal Engine speed	2,300.0 1/min
Idling speed	1,200.0 1/min
Maximum torque	200.0 Nm
Engine speed (max. torque)	1,600.0 1/min
Exhaust-gas limit	EU Stage V
Starter battery Voltage	12.0 V
Manufacturer	Deutz
Engine designation	TD 2.2 L3
Stroke	110.0 mm
Bore	92.0 mm

### Environment Data

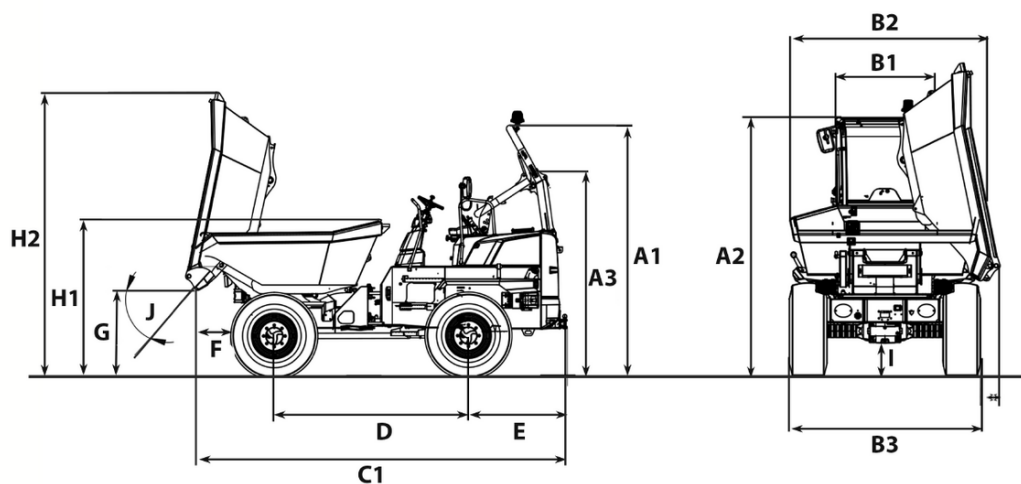
Sound power LWA, guaranteed	101.0 dB(A)
-----------------------------	-------------

### Chassis

Turning radius	5,125.0 mm
----------------	------------

Articulation angle	29.0 °	Operating pressure	450.0 bar
drive unit	4WD hydrostatic	Flow rate	123.0 l/min
hydraulikpump	Axialpistonpump	tires	405/70-20

## Dimensions



A1	Height ROPS	3,208 mm
A2	Height with cab	2,999 mm
A3	Height of ROPS tilted	2,591 mm
B1	Width of cab	1,228 mm
B2	Width of vehicle	2,230 mm
B3	Width of skip	2,328 mm
C1	Total length ROPS	4,496 mm
	Total length of cab	4,496 mm
	Total length with towing device	4,554 mm
D	Wheel base	2,485 mm
E	Rear overhang	1,263 mm
F	Dumping width	565 mm
G	Dumping height max.	384 mm
H1	Skip height	1,828 mm
H2	Skip height tilted	2,417 mm
I	Ground clearance	369 mm
J	Dumping angle	50 °