



## ET24

### Tracked Conventional Excavator

The generalist of its class

The ET24 combines the advantages of the lighter weight classes with the power rating of the 2.5-metric ton class. Due to this, it has more lift capacity at a low weight and compact dimensions. This makes it strong and flexible in transport as well as when changing positions. The high excavating and tractive power increases the machine's productivity, saving time simultaneously. The powerful drive system, together with the intelligent cooling system, allow efficient working cycles, even at high ambient temperatures. Thanks to the generously arranged cab design, the operator has enough freedom of movement for head and legs. The ergonomic seat, individually adjustable, also makes fatigue-free working possible. A variety of options is available for the ET24. The excavator can thus be configured completely according to the customer's requirements.

### Highlights

- Innovative front windshield system
- Comfortable, fully glazed cab
- Powerful drive system
- VDS Vertical Digging System
- Hydraulically pilot-controlled travel pedals

### Technical Data

#### Hydraulic

Operating pressure	240.0 bar
hydraulikpump	Double variable and 2 gear pumps
Flow rate	78.0 l/min
Flow rate max.	78.0 l/min
Tank capacity	19.0 l

#### Mechanical - Output Details

Gradeability	58.0 %
Travel speed	4.0 km/h

#### Mechanical Details

Length	4,022.0 mm
Width	1,400.0 mm
Height	2,392.0 mm
Operating weight (min.-max.)	2,200.0 - 2,746.0 kg
Digging depth (max.)	2,602.0 mm

#### Engine

Cooling	Water-cooling
---------	---------------

Engine type	Diesel engine
Cylinder	3.0
Cylinder capacity	1,116.0 cm3
Effective power	13.8 KW
Nominal Engine speed	2,200.0 1/min
Exhaust-gas limit	EU Stage V
Battery capacity (nom. value)	44.0 Ah
Manufacturer	Yanmar
Engine designation	3TNV76

#### Environment Data

Sound level LpA	76.0 dB(A)
Sound power LWA, guaranteed	93.0 dB(A)

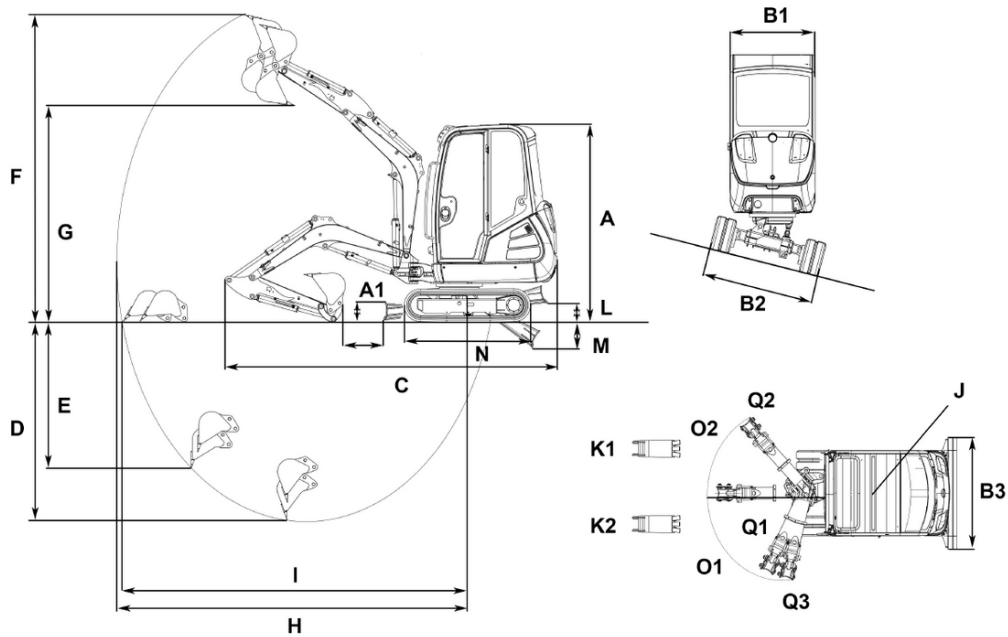
#### Chassis

Operating pressure	240.0 bar
--------------------	-----------

#### Shipping and Storage

Shipping weight	2,057.0 kg
-----------------	------------

## Dimensions



A	Height with cab	2,392 mm
A1	Height of dozer blade	300 mm
A	Total height with rotating beacon	2,578 mm
B1	Width of upper carriage	990 mm
B2	Width travel gear	1,400 mm
B3	Width of dozer blade	1,400 mm
C	Transport length	4,022 mm
D	Digging depth max., short shovel arm	2,402 mm
	Digging depth max., long shovel arm	2,602 mm
E	Piercing depth max., short shovel arm	1,562 mm
	Piercing depth max., long shovel arm	1,746 mm
F	Piercing height max., short shovel arm	3,949 mm
	Piercing height max., long shovel arm	4,071 mm
G	Dumping height max., short shovel arm	2,748 mm
	Dumping height max., long shovel arm	2,870 mm
H	Digging radius max., short shovel arm	4,146 mm
	Digging radius max., long shovel arm	4,334 mm
I	Max. reach at ground level (short shovel arm)	4,020 mm
	Max. reach at ground level (long shovel arm)	4,216 mm
J	Tail swing radius	1,169 mm
K1	Boom offset max. (to center of bucket right side)	516 mm
K2	Boom offset max. (to center of bucket left side)	359 mm
L	Stacking height max. (dozer blade above surface)	294 mm
M	Digging depth max. (dozer blade below surface)	334 mm
N	Length travel drive	1,838 mm
O1	Max. swivel angle (arm system to the left)	77 °
O2	Max. swivel angle (arm system to the right)	48 °
	Track width	250 mm
Q1	Boom swing radius center	1,666 mm
Q2	Boom swing radius right	1,582 mm
Q3	Boom swing radius left	1,356 mm