



TH412

Telehandler

Compact and powerful

All wheel steering, low centre of gravity and excellent stability distinguish the TH412 telehandler. The integrated driver assistance system VLS (Vertical Lift System) ensures safety, while also increasing the operator comfort. The electronically regulated drive system with various operator modes enables an externally productive work operation with the machine. Thanks to its low operating weight and very compact dimensions, the TH412 can be transported on a car trailer without any problems. This makes its flexible for use in many different areas.

Highlights

- Electronically controlled drive system
- Electric parking brake
- VLS (Vertical Lift System)
- Colour-oriented operating concept
- Compact and powerful

Technical Data

Hydraulic

Operating pressure	220.0 bar
Flow rate	28.0 l/min
Tank capacity	36.0 l

Mechanical - Output Details

Travel speed stage 1	0.0 - 7.0 km/h
Travel speed stage 2	0.0 - 28.0 km/h

Mechanical Details

Weight	2,750.00 kg
Payload max.	1,250.0 kg
Payload lift max.	1,250.0 kg
Lift bucket swivel	4,537.0 mm

Environment Data

Sound power LWA, guaranteed	103.0 dB(A)
-----------------------------	-------------

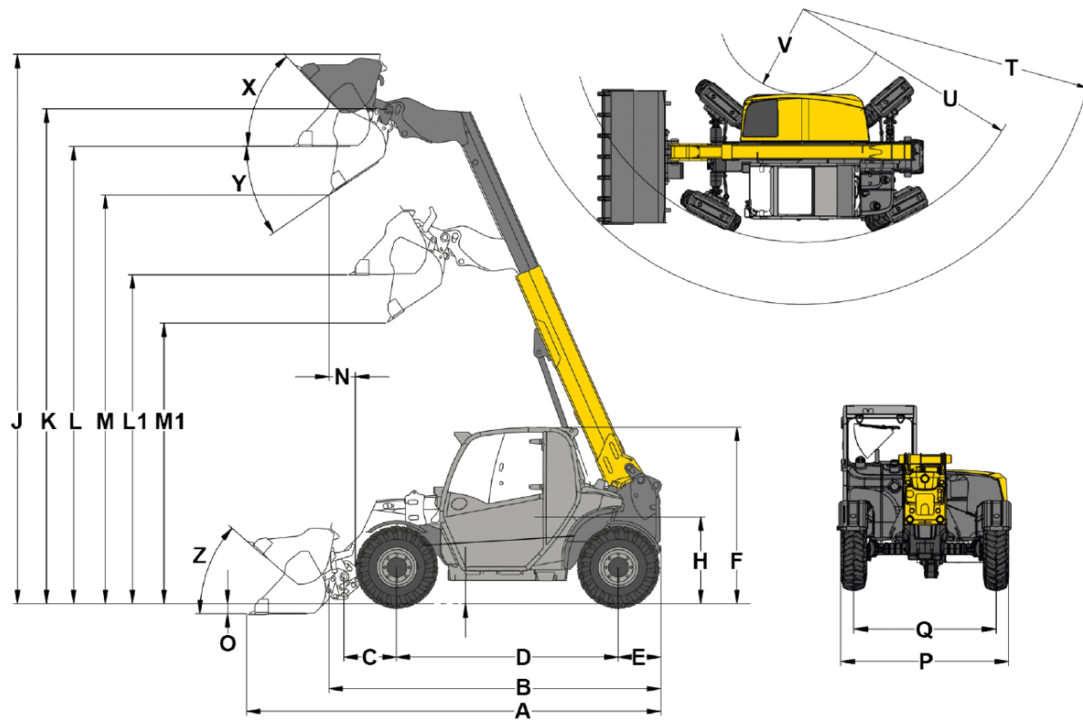
Operating Fluids

Oil specification	SAE 10W-40
Oil volume	4.400 l
Cooling fluid volume	7.5 l
Hydraulic fluid volume	60.0 l
Hydraulic fluid type	ISO VG 46
Fuel specification	Diesel EN 590
Fuel Tank capacity	38.0 l

Chassis

Turning radius	2,695.0 mm
Operating pressure	380.0 bar

Dimensions



A	Total length	3,944 mm
B	Total length without bucket	2,991 mm
C	Bucket pivot point (to center of axle)	450 mm
D	Wheel base	1,922 mm
E	Rear overhang	427 mm
F	Height with cab	1,995 mm
H	Seat height	978 mm
J	Total working height	5,280 mm
K	Bucket pivot point (max. lift height)	4,537 mm
L1	Load-over height telescopic arm retracted	2,949 mm
L	Load-over height telescopic arm extended	4,163 mm
M1	Dumping height telescopic arm retracted	2,415 mm
M	Dumping height telescopic arm extended	3,630 mm
N	Reach (at M)	557 mm
O	Digging depth	96 mm
P	Total width	1,564 mm
Q	Track width	1,235 mm
S	Ground clearance	294 mm
T	Maximum radius	3,506 mm
U	Radius on the outer edge	2,695 mm
V	Inner radius	951 mm
X	Rollback angle at max. lift height	52 °
Y	Dumping angle	31 °
Z	Rollback angle on ground	44 °