



## ET145

### Tracked Conventional Excavator

The champion in the compact class

The ET145 is one of the world's largest compact excavators, providing the power and performance of a larger model in a more compact package. It offers a perfect balance of power, maneuverability and stability. The ET145 features the most up-to-date innovations for comfortable and intuitive operation to tackle even bigger jobs.

## Highlights

- Swivel console
- Comfortable, fully glazed cab
- 7-inch display and rear-view camera
- Up to 5 additional control circuits ex work
- AUX I
- AUX II

## Technical Data

### Hydraulic

Operating pressure	320.0 bar
hydraulikpump	Double variable and 2 gear pumps
Flow rate max.	305.0 l/min
Tank capacity	110.0 l

### Mechanical - Output Details

Travel speed	5.1 km/h
--------------	----------

### Mechanical Details

Length	7,788.0 mm
Width	2,490.0 mm
Height	2,786.0 mm
Operating weight (min.-max.)	15,551.0 - 17,275.0 kg
Digging depth (max.)	5,442.0 mm

### Engine

Cooling	Water-cooling
Motor type	Diesel engine

Cylinder	4.0
Cylinder capacity	3,621.0 cm <sup>3</sup>
Fuel type	Diesel EN 590
Effective power	55.0 KW
Nominal Engine speed	2,050.0 1/min
Exhaust-gas limit	EU Stage V
Battery capacity (nom. value)	120.0 Ah
Manufacturer	Perkins
Engine designation	904J-E36TA

### Environment Data

Sound level LpA	75.0 dB(A)
Sound power LWA, guaranteed	99.0 dB(A)

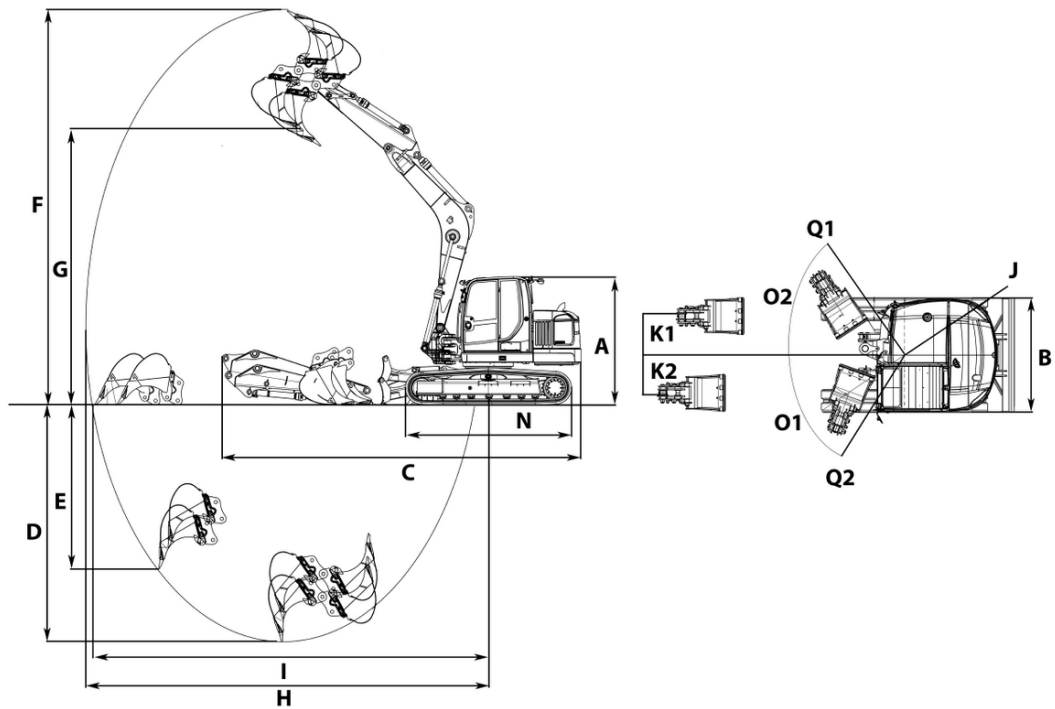
### Chassis

Operating pressure	240.0 bar
--------------------	-----------

### Shipping and Storage

Shipping weight	14,917.0 kg
-----------------	-------------

## Dimensions



A	Height with cab	2,786 mm
B	Width of dozer blade	2,490 mm
C	Transport length short shovel arm	7,720 mm
	Transport length long shovel arm	7,788 mm
D	Digging depth max., short shovel arm	4,981 mm
	Digging depth max., long shovel arm	5,481 mm
E	Piercing depth max., short shovel arm	3,089 mm
	Piercing depth max., long shovel arm	3,550 mm
F	Piercing height max., short shovel arm	8,228 mm
	Piercing height max., long shovel arm	8,552 mm
G	Dumping height max., short shovel arm	5,620 mm
	Dumping height max., long shovel arm	5,945 mm
H	Digging radius max., short shovel arm	8,261 mm
	Digging radius max., long shovel arm	8,727 mm
I	Max. reach at ground level (short shovel arm)	8,044 mm
	Max. reach at ground level (long shovel arm)	8,527 mm
J	Tail swing radius	2,017 mm
K1	Boom offset max. (to center of bucket right side)	846 mm
K2	Boom offset max. (to center of bucket left side)	638 mm
N	Length travel drive	3,604 mm
O1	Max. swivel angle (arm system to the left)	70 °
O2	Max. swivel angle (arm system to the right)	57 °
Q1	Boom swing radius right	2,643 mm
Q2	Boom swing radius left	2,322 mm