



EZ17

Tracked Zero Tail Excavator

Compact, powerful, and maneuverable

The EZ17 compact excavator is the most powerful zero tail excavator in its class. The large-volume diesel engine, LUDV (Load Sensing System) and an innovative cooling system provide the highest levels of performance and efficiency. The compact and durable design guarantees a long service life. The EZ17 offers the operator an unrestricted field of vision through the roof window.

Highlights

- Optimally protected stick and lifting arm cylinders
- Powerful drive system with LUDV
- Maintenance and disassembly easier than ever before
- 100% zero tail
- Canopy with roof window

Technical Data

Hydraulic

Operating pressure	240.0 bar
hydraulikpump	Variable displacement pump
Flow rate	39.0 l/min
Flow rate max.	39.0 l/min
Tank capacity	21.0 l

Mechanical - Output Details

Travel speed	4.8 km/h
--------------	----------

Mechanical Details

Length	3,585.0 mm
Width	990.0 mm
Height	2,360.0 mm
Operating weight (min.-max.)	1,724.0 - 2,083.0 kg
Digging depth (max.)	2,486.0 mm

Engine

Cooling	Water-cooling
Motor type	Diesel engine
Cylinder	3.0

Cylinder capacity	1,176.0 cm ³
Inclined position max.	30.0 °
Tank capacity	22.0 l
Effective power	13.8 KW
Nominal Engine speed	2,200.0 1/min
Operating power	13.4 KW
Operating Engine speed	2,200.0 1/min
Starter battery Voltage	12.0 V
Battery capacity (nom. value)	44.0 Ah
Manufacturer	Yanmar
Engine designation	3TNV76

Environment Data

Sound level LpA	79.0 dB(A)
Sound power LWA, guaranteed	93.0 dB(A)

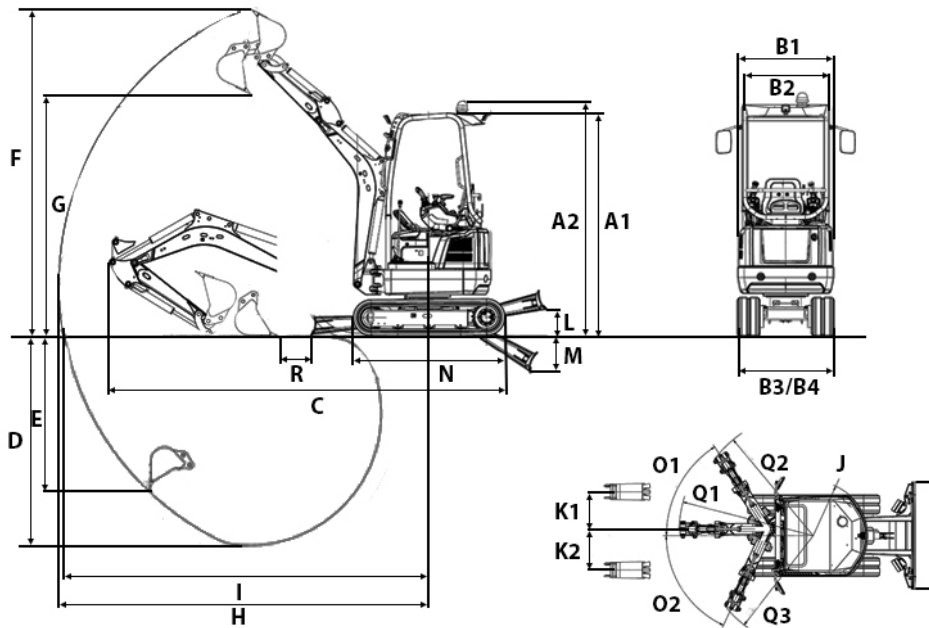
Chassis

Operating pressure	240.0 bar
--------------------	-----------

Shipping and Storage

Shipping weight	1,596.0 kg
-----------------	------------

Dimensions



A2	Height with cab	2,362 mm
A6	Total height with rotating beacon	2,538 mm
B1	Width of upper carriage	990 mm
B2	Width of cab	885 mm
B3	Width travel gear	1,300 mm
B4	Width travel gear retracted	990 mm
B5	Width of dozer blade	1,300 mm
C1	Transport length	2,828 mm
C2	Transport length short shovel arm	3,584 mm
C3	Transport length long shovel arm	3,551 mm
D2	Digging depth max., short shovel arm	2,326 mm
D3	Digging depth max., long shovel arm	2,486 mm
E2	Piercing depth max., short shovel arm	1,713 mm
E3	Piercing depth max., long shovel arm	1,863 mm
F2	Piercing height max., short shovel arm	3,462 mm
F3	Piercing height max., long shovel arm	3,576 mm
G2	Dumping height max., short shovel arm	2,436 mm
G3	Dumping height max., long shovel arm	2,550 mm
H2	Digging radius max., short shovel arm	3,899 mm
H3	Digging radius max., long shovel arm	4,050 mm
I2	Max. reach at ground level (short shovel arm)	3,848 mm
I3	Max. reach at ground level (long shovel arm)	4,002 mm
J1	Tail swing radius	660 mm
K1	Boom offset max. (to center of bucket right side)	533 mm
K2	Boom offset max. (to center of bucket left side)	418 mm
L1	Stacking height max. (dozer blade above surface)	271 mm
M1	Digging depth max. (dozer blade below surface)	390 mm
N1	Length travel drive	1,607 mm
O1	Max. swivel angle (arm system to the left)	65 °
O2	Max. swivel angle (arm system to the right)	57 °
P1	Track width	230 mm
Q1	Boom swing radius center	1,627 mm
Q2	Boom swing radius right	1,519 mm
Q3	Boom swing radius left	1,372 mm
R1	Distance bucket dozer blade, short shovel arm	332 mm
R2	Distance bucket dozer blade, long shovel arm	260 mm

The illustrations, equipment and data shown may deviate from the current delivery program of your country. Optional equipment subject to additional charge may be shown. Subject to changes.