



**WACKER
NEUSON**
all it takes!

Mini-excavator

up to 6 t



Wacker Neuson – all it takes!



Invest in the future.

Set your sights on high-quality construction machines and equipment with Wacker Neuson, on which you can rely for decades - with a consistently high resale value. With over 175 years' history, we are building on a strong foundation and proud of innovations, which have revolutionized the entire industry. Innovation is in our DNA - benefit from this and set yourself up for the future.

Rely on a partnership on equal footing, very close by.

Our global network of sales and service stations makes Wacker Neuson a partner with whom you can collaborate on equal footing on-site. We are here to listen to you, to understand you, and to solve your problems together with you. Set your sights on having a strong partner at your side, who will help you to position yourself ahead of the competition.

Bring even more efficiency to your construction site.

Wacker Neuson ensures maximization in productivity and minimization in costs - with high-quality products, reliable solutions and support, which guaranteeing smooth construction site operation.

Experience more:
[wackerneuson.com](https://www.wackerneuson.com)



Contents.

ET08	4
EZ10e	8
ET16	12
EZ17e	16
EZ17	22
ET18, ET20, ET24	26
EZ26e	32
EZ26	36
ET35, EZ36	40
ET42, EZ50	46
Attachments	52
Configuration options	54
Dimensions	56
Lifting power tables	58
Technical data	66



Small but mighty: the mini excavator ET08.

	ET08
Shipping weight (kg)	930-992
Digging depth (mm)	1,763
Engine output (kWh)	9.9

ET08 tracked excavator: extending your options.



Legroom and overview.

A view of everything, while simultaneously having enough legroom and freedom of movement. From the operator's seat the operator can reach all the necessary levers and buttons, and comfortably work with the ET08. It is even possible to operate the telescopic traveling gear from the seat without any problems.



Fold-down ROPS safety bar.

The Roll-Over-Protection-Structure (ROPS) serves as protection for the operator. For low clearance heights or for easier transportation of the machine, the ROPS safety bar can be easily folded down.



Auxiliary hydraulics as standard.

The standard one-way auxiliary hydraulics enables, for example, breaker operation and therefore provides more flexibility. Optionally, it can be converted to two-way auxiliary hydraulics. Demolition and renovation works in confined spaces are therefore not a problem.



The highest engine performance in its class.

Power and engine performance in professional class: the proven 3-cylinder diesel engine is an efficient, economical, and reliable powerhouse.



| Safety

- Shatter protection (optional)
- Fold-down ROPS safety bar
- Lift arm cylinder on the top side of the boom, protected against damage

| Performance

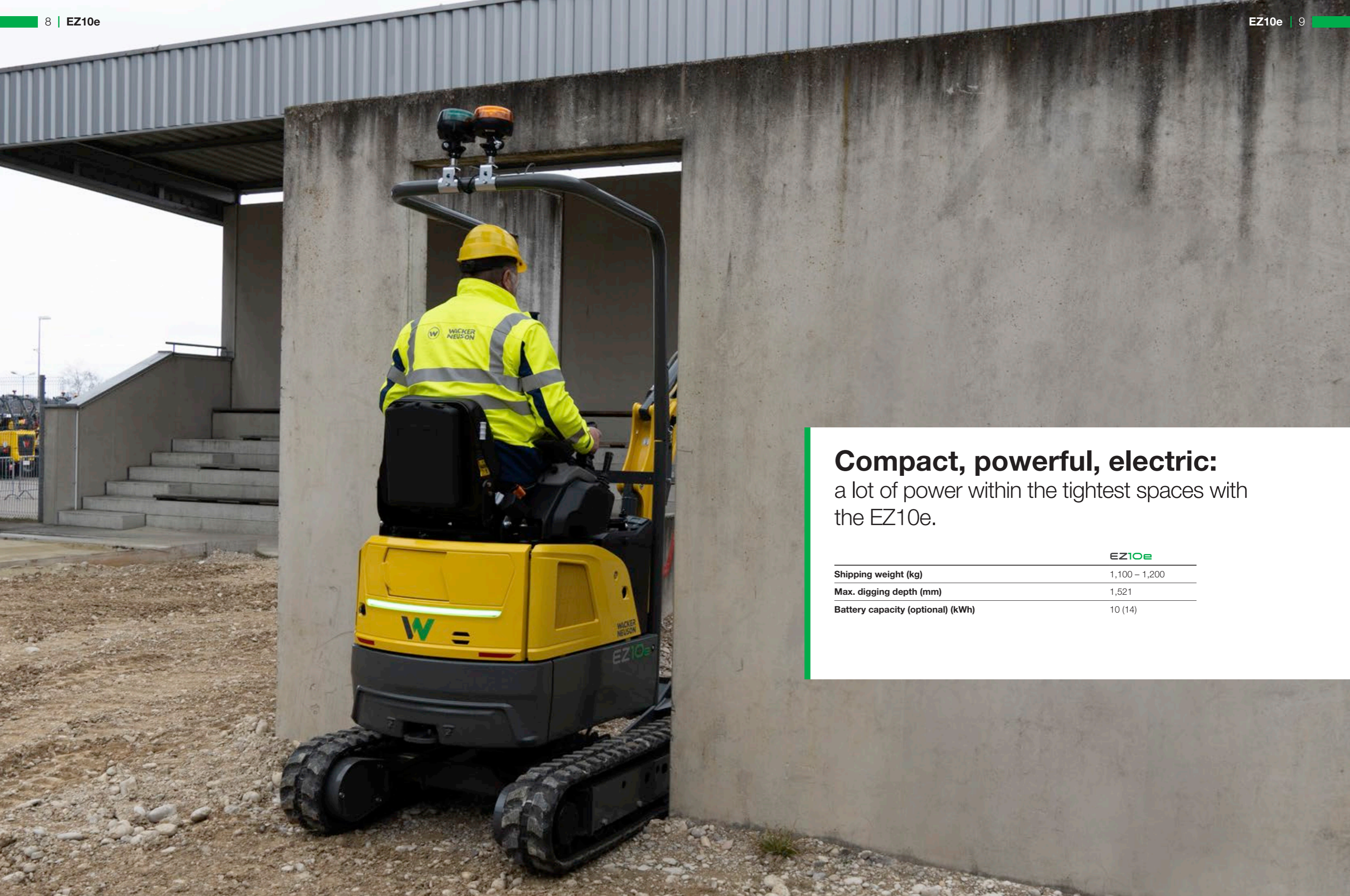
- Auxiliary hydraulics as standard (optional 2-circuit auxiliary hydraulics available)
- The highest engine performance in its class
- Hydraulic oil tank on the outside, due to which the oil heats up less without an additional cooler – for full performance at high ambient temperatures

| Maintenance

- Optimal maintenance access

| Efficiency & versatility

- Easy transport with a car trailer
- Hydraulic telescopic travel gear with dozer blade extension
- Compact dimensions
- Thermal resistance at ambient temperatures up to 45°C



Compact, powerful, electric:
a lot of power within the tightest spaces with
the EZ10e.

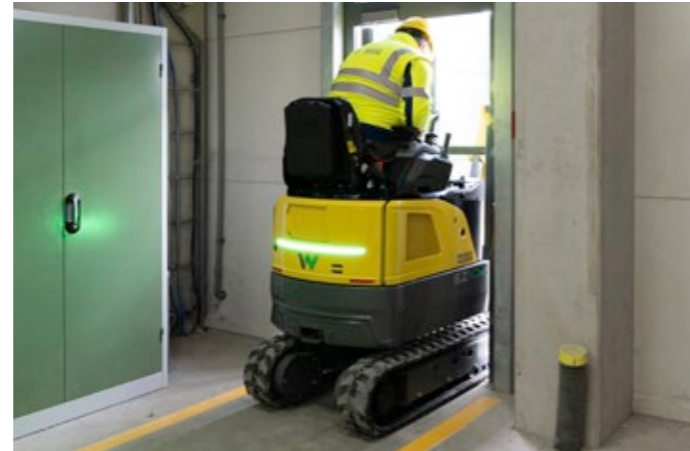
	EZ10e
Shipping weight (kg)	1,100 – 1,200
Max. digging depth (mm)	1,521
Battery capacity (optional) (kWh)	10 (14)

Compact power for sustainability: unrestricted and without emissions in the tightest spaces.



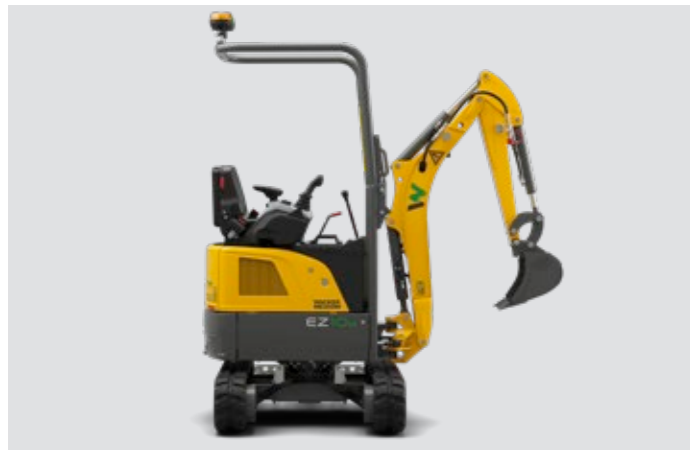
Developed for all-day use.

Shorter charging times and long running times, as well as the option for parallel operation, while charging at a socket - the EZ10e has been developed for use throughout an entire working day. As a result of this, it is characterized by high performance and maximum efficiency.



Hydraulic telescopic travel gear with dozer blade extension.

The hydraulic telescopic travel gear can be quickly and easily retracted, it is therefore possible to clear passageways of 790 mm. With an extended travel gear to 1,100 mm, the EZ10e works with greater stability in confined spaces. With the fold-in dozer blade, this makes individual adjustment to the job site conditions possible.



100% emission-free and quiet in operation.

The electric drive makes it possible to operate in a variety of additional areas of application, like noise-sensitive areas, areas subject to environmental protection, and even working at night or indoors. As a result of the lapse of many service and maintenance points, regular costs are reduced to a minimum.



Clearly increased operator comfort.

The daily work becomes comfort work with the joystick operation, premium seat and great deal of legroom. Adjustable armrests and operator's seat enable adaptation to the individual requirements of the operator.

Environmental-friendliness

- 100% emission-free
- Low noise emissions
- Protects operator and environment

Versatility

- Many charging options and stationary network operation possible via integrated chargers
- Fully-charged in 1.5 to 4 hours at a high-voltage outlet
- Hydraulic telescopic travel gear with dozer blade extension
- Extended applications options as a result of the electric drive

Efficiency & comfort

- Powerful drive system with load-sensing hydraulic system (LUDV)
- Fold-down ROPS bar ideal for transportation and clearances
- Minimal energy costs due to fully-electric drive system
- 100% Zero Tail: no rear projection
- High operator comfort
- AWS (Active Working Signal) indicates the environment in which the machine is in operation

Performance & maintenance

- High performance like conventional machine
- Minimal service, maintenance costs and effort
- High hydraulic performance
- Swivel console for tight areas and working against walls and obstacles





**Moving large items in
a small space:**
the compact mini-excavator ET16.

ET16

Shipping weight (kg)	1,402–1,602
Digging depth with short and long dipper stick (mm)	2,242–2,413
Engine output (kWh)	13.8

ET16 tracked excavator: characterized by its compact and sturdy design.



Powerful drive system with LUDV (load-sensing hydraulic system).

The powerful drive system in combination with a load-sensing hydraulic system (LUDV) makes controlling the excavator comfortable and fatigue-free. Irrespective of the load to be moved, the control movements on the joystick stay the same.

Hydraulic telescopic travel gear with dozer blade extension.

The hydraulic telescopic travel gear – with a max. external width of 1,300 mm – provides stability. It can be retracted to a width of 990 mm. With the foldable dozer blade extension, this makes individual adjustment to the job site conditions possible.



Large, ergonomic comfort cabin.

The ergonomically optimized comfort cab provides a very good 360° visibility, plenty of leg room and headroom, and a wide entry. The two-piece front windshield also ensures optimal ventilation in any type of weather. This guarantees a high level of safety and flexibility within the workspace, adapted to the individual requirements of the operator.

Easy transport with a car trailer.

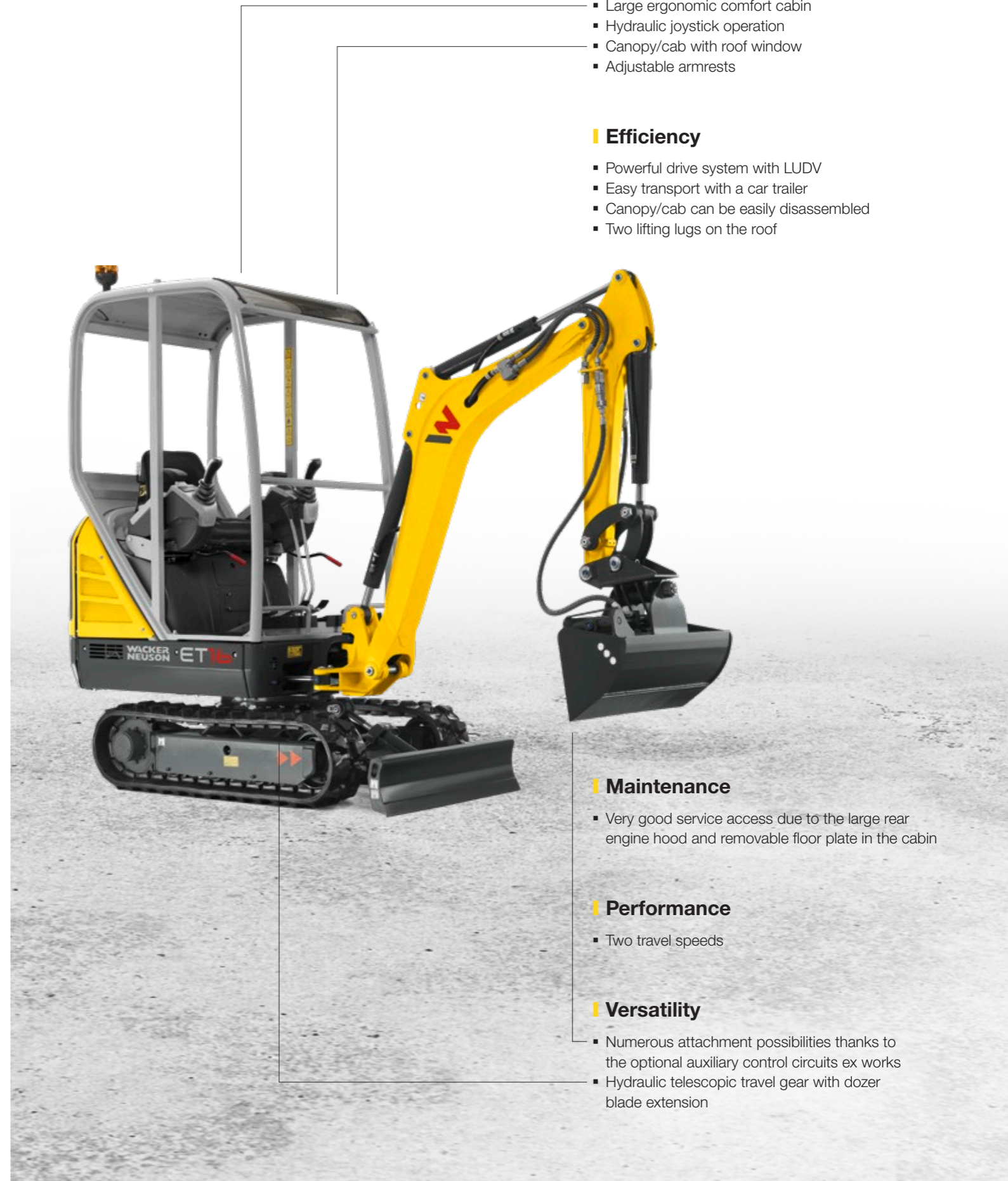
To the next construction site with the car trailer? No problem. The low weight of the ET16 enables transportation incl. attachment on a 3.5t trailer.

Comfort

- Large ergonomic comfort cabin
- Hydraulic joystick operation
- Canopy/cab with roof window
- Adjustable armrests

Efficiency

- Powerful drive system with LUDV
- Easy transport with a car trailer
- Canopy/cab can be easily disassembled
- Two lifting lugs on the roof



Maintenance

- Very good service access due to the large rear engine hood and removable floor plate in the cabin

Performance

- Two travel speeds

Versatility

- Numerous attachment possibilities thanks to the optional auxiliary control circuits ex works
- Hydraulic telescopic travel gear with dozer blade extension



Fully electric and full performance:
the electric Zero Tail mini-excavator EZ17e.

	EZ17e
Shipping weight (kg)	1,681 – 1,860
Digging depth with short and long dipper stick (mm)	2,323/2,483
Battery output (kWh)	23.4

Emission-free and versatile.

An overview of the all the EZ17e's features.

Efficiency

- Powerful drive system with load-sensing hydraulic system (LUDV)
- Canopy can be easily disassembled
- Minimal energy costs due to fully-electric drive system
- 100% Zero Tail: no rear projection

Performance

- Patented battery technology: performance for a full workday
- Flexible energy supply: possible to perform stationary work during loading procedure
- Automatic battery heating ensures complete readiness, even at low temperatures
- Same hydraulic output as with a diesel model

Maintenance

- Reduced maintenance and service costs
- Maintenance-free lithium ion battery
- Significantly lower operating costs



Comfort

- 2-Point-lifting via canopy
- LED work lights
- Large 7-inch full color display
- Intuitive operating concept: joystick, display, Jog Dial, and keypad

Safety & environmental-friendliness

- No exhaust emissions
- Clearly less noise
- 100% emission-free work protects the operator and the machine's surroundings

Versatility

- Up to four auxiliary control circuits ex works
- Possible to charge via power current or 230 Volt connection using integrated chargers
- Fully-charged in four hours at a high-voltage outlet
- Hydraulic telescopic travel gear with dozer blade extension

Zero Tail excavator EZ17e: electric mini-excavator without rear projection.



Patented battery technology.

The EZ17e scores points with a long battery life thanks to a battery capacity of 23.4 kWh and the patented, maintenance-free battery system. The modern lithium-ion battery with integrated heater enables fast charging, even with a low ambient temperature and

provides power for a whole workday. In doing so, application both in battery mode and, where required, in the stationary network operation is possible with the same hydraulic output as with its diesel-operated counterpart.

No exhaust emissions, clearly less noise.

The operator is not exposed to exhaust emissions and is exposed to clearly less noise. As a result, the EZ17e is particularly well-suited to use in sensitive areas. Work is more comfortable for both the operator and their environment, than with fuel-operated equipment.

Large 7-inch full color display.

All the important information surrounding the battery status and the operation are clearly presented on the 7-inch full-color display. Together with the modern Jog Dial operating system, the EZ17e setting new standards within its class.



Reduced maintenance and service costs.

Thanks to the maintenance-free battery, the service-effort is reduced to a minimum. Likewise, typical maintenance-works of conventional machines, such as engine oil and filter changes are no

longer necessary, and as a result you save on the service material costs. With this, the battery has a particularly long service life and it is reliable.

100% practice-oriented.

Numerous features support the daily operation of the machine and ensure smooth procedures: a removable canopy for quickly clearance, adjustable charging current limitation for tense fuses, and the continuously displayed calculation of the remaining working time enable the highest level of construction-site productivity.

100% Zero Tail.

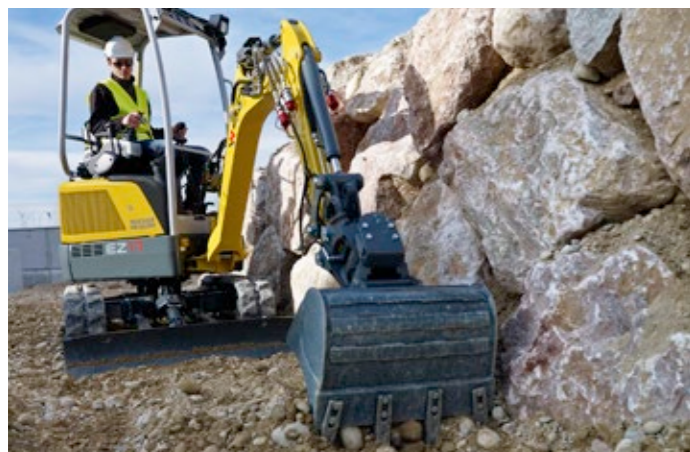
Sometimes less is more, especially in tight spaces. The EZ17e does not have a rear projection and is ideally suited to working directly alongside walls and boundaries. This is possible because all of the components are housed within the installation space, from the battery through the electric motor to the chargers.



Compact, powerful, maneuverable:
the Zero Tail mini-excavator EZ17.

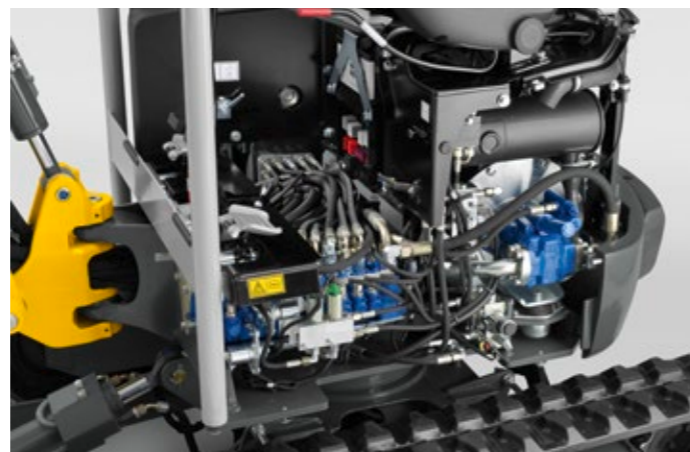
	EZ17
Shipping weight (kg)	1,595–1,822
Digging depth with short and long dipper stick (mm)	2,326–2,486
Engine output (kWh)	13.8

Zero Tail excavator EZ17: high performance and efficiency.



Optimally protected stick and lifting arm cylinders.

The neck and lifting arm cylinder are attached to the upper side. As a result of this, they can be damaged neither by a collision with the dozer blade, nor with the material received. Therefore, less damage arises, which in turn saves in cost.



Maintenance and disassembly easier than ever before.

The EZ17 is utmost practice-oriented. With a 17 mm wrench, the most important components can be disassembled on the construction site. All of the relevant components can be comfortably removed, easily reached and checked.



Powerful drive system with LUDV.

Thanks to the LUDV, the control movements on the joystick remain the same, independent of the load to be moved. Along with increased operating comfort, this results in a performance plus while simultaneously reducing consumption.



Hydraulic joystick operation.

The ergonomic and sturdy joysticks, which work completely proportionally, expand the functions and possibilities for controlling the excavator. The operator can carry out movements more precisely and work with increased concentration.



Versatility

- Two lifting lugs on the roof
- Up to four auxiliary control circuits for easy operation of attachments such as swivel buckets or breakers – optionally with preparation for the hydraulic quick hitch system
- Load-holding function and optional overload valves with hose burst protection
- Telescopic travel gear and dozer blade extension for optimal maneuverability in confined spaces

Safety

- Optimally protected stick and lifting arm cylinders

Performance

- Two travel speeds
- Hydraulic joystick operation
- Best stability and solid steel construction

Maintenance

- Very easy maintenance and disassembly of the canopy and covers (everything with one key)

Efficiency

- Easy transport with a car trailer
- 100% Zero Tail: no rear projection, ideal for work directly against walls and boundaries
- Thermal resistance at ambient temperatures up to 45°C
- Powerful drive system with LUDV



Three powerful models:
the tracked excavators ET18, ET20, and ET24.

	ET18	ET20	ET24
Shipping weight (kg)	1,582–2,060	1,862–2,182	2,057–2,401
Digging depth with short and long dipper stick (mm)	2,202–2,402	2,483–2,683	2,402–2,602
Engine output (kWh)	13.8	13.8	13.8

Overwhelming overall performance.

An overview of all the ET18, ET20, and ET24's features.

Performance

- Two travel speeds
- Powerful diesel engine

Maintenance

- Easy service and maintenance access

Safety

- Laterally raised cast bumper

Efficiency

- Two lifting lugs on the roof
- Powerful drive system
- Compact dimensions
- Thermal resistance at ambient temperatures up to 45°C
- Easy transport with a car trailer
- Vertical Digging System (VDS)



Comfort

- Second cabin door for entry and exit on both sides
- Comfortable, fully glazed operator cab with skylight for an optimal view upwards
- Innovative front windshield system
- Hydraulically controlled drive pedals for comfortable, precise control
- Hydraulic joystick operation
- Easy to disassemble canopy/cabin

Versatility

- Hydraulic telescopic travel gear (990 - 1,300 mm) with dozer blade extension
- Numerous attachments and up to four auxiliary control circuits ex works



VDS Vertical Digging System - Small detail, great effect

The Vertical Digging System grades inclines from up to 15 degrees, thus making vertical trenches on a slope possible. This is not only ergonomic for the operator, but it also saves on both time and excavated material.

- Up to 25 percent material and time savings when excavating and filling
- Safe working and higher stability in sloping spaces
- The same swing power over 360 degrees allows fatigue-free work with the seat position remaining the same

Tracked excavators ET18, ET20, and ET24: a combination of tried and tested elements and innovative features.



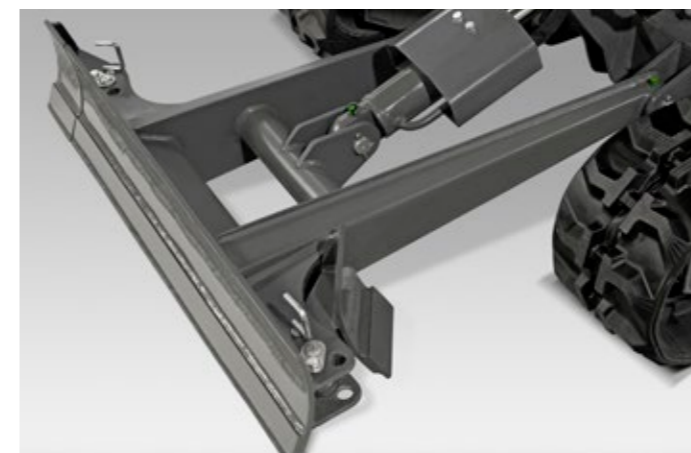
Hydraulically pilot-operated gas pedals.

The hydraulically pilot-operated gas pedals make it possible to conveniently and precisely control without mechanical wear. Your hands remain free for other functions.



Powerful drive system.

Thanks to the high performance of the drive system, the maximum power of the excavator is available at every point of operation. This brings up to 30% higher power for an even better performance.



Hydraulic telescopic travel gear with dozer blade extension.

The hydraulically telescoped travel gear with a max. outer width of 1,300 mm gives stability. In no time, it can be retracted to a width of 990 mm. With the foldable dozer blade extension, this makes individual adjustment to the job site conditions possible. Meanwhile, the extension elements are always connected to the machine and this do not get lost.



Comfortable, fully glazed cab.

The large, fully-glazed and tiltable cab roof window offers the operator an optimal 360° visibility of their work area. This gives the operator a good view of his working area, the colleagues and any dangers.



Energy-charged power package: electrify your working day with the EZ26e.

	EZ26e
Shipping weight (kg)	< 2,700
Max. digging depth (mm)	2,803
Battery capacity (optional) (kWh)	30 (39)

Strong, safe, compact:
no wish left ungranted for the operator or the environment.



100% emission-free, despite the power.

EZ26e is ideal for working in sensitive environments, like residential areas, parks or indoor spaces, as it releases no dangerous gases and has minimal noise emissions. As a result of this, a comfortable working environment is promoted, which protects the environment and makes it easier to use the machine in areas with strict environmental regulations.



Safety is the utmost priority.

A number of safety features not only make the machine a strong partner on the construction site, but also a safe one. The AWS illuminates as soon as the machine is put into operation and ensures therefore for the highest degree of attention within the area. An overload warning alarm, orange safety belt and the piston rod protection are other safety features.



Compact design and low weight.

As a result of the Zero Tail projection, there is plenty of space to maneuver the machine, even in tight spaces, and to work alongside walls. The excavator's low weight makes it possible to transport it on a 3t trailer, including the attachment.



Optimal 360° visibility.

As a result of the compact design and the all-round glazing, as well as an ideal engine hood design, the operator is able to see all the important areas at a glance from their operator's seat. As a result of the rear-view mirror and the roof window, the rear and the area above the cabin are well visible, which can minimize the risk of accidents and material damage.

Extraordinary performance:
incomparable work enjoyment with emission-free operation.

Environmental-friendliness

- Emission-free operation
- Auto-stop function
- Automatic RPM speed control
- Very low noise level
- Bio-Oil filling available

Efficiency & comfort

- Flexible energy supply (stationary operation also possible)
- Full-graphic display and Bluetooth radio with hands-free system
- Cab heating
- Jog Dial and joystick operation
- Flexible charging options and long running time

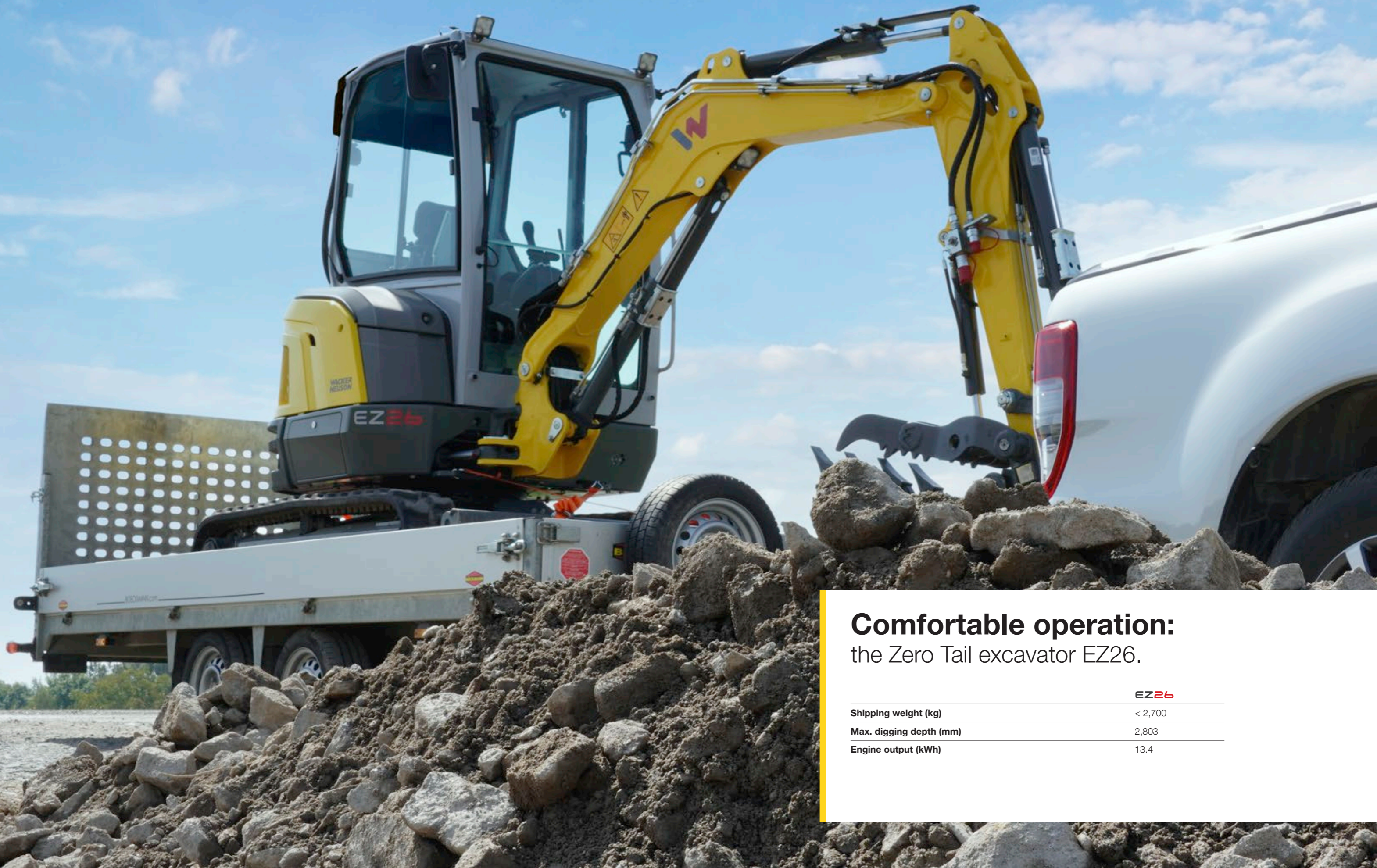
Performance, maintenance & safety

- Same high performance as conventional machine
- Hold full charge for a whole working day
- Orange safety belt connected with green rotating beacon
- LED work lights
- Piston rod protection
- Overload warning indicator
- Up to 3 additional control circuits
- Easy-to-reach maintenance and service points

Versatility

- Zero Tail structure
- Small dimensions
- Low weight for trailer transportation
- Extended application options





Comfortable operation: the Zero Tail excavator EZ26.

	EZ26
Shipping weight (kg)	< 2,700
Max. digging depth (mm)	2,803
Engine output (kWh)	13.4

Quality

- Optimized hose routing for longer service life and protection from the outside
- 100% power up to 45°C ambient temperature
- Flexible cylinder rod protection – no remaining deformation after contact with an obstacle

Versatility

- Two lifting points for the whole machine on the cab/canopy
- Zero Tail design - without rear projection for working by obstacles and walls
- Up to six auxiliary control circuits ex works for equipping with a number of attachments

Performance

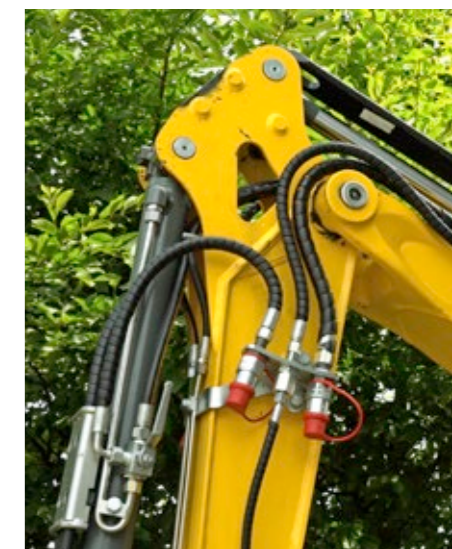
- Increased performance and digging data for working more efficiently
- LUDV hydraulic system enable easy and precise control
- Optional air-conditioning system - unique for this weight class

Efficiency

- Automatic idling speed as standard
- Easy attachment change from the cab
- Easy access to all maintenance and servicing points from the ground
- Easy transport with a car trailer
- The optional auto-stop function automatically switches the engine off as soon as the machine is not in use (time can be set)



Zero Tail excavator EZ26: maximum equipment with minimal weight.



Increased performance.

The new Zero Tail tracked excavator EZ26 provides even higher performance and digging data, and is particularly impressive with its high lifting strength.

Zero Tail.

The Zero Tail excavator without a rear projection can optimally work in confined spaces, and therefore guarantees a high degree of maneuverability and saves time.

Versatile.

The right flow for every job. Up to six auxiliary control circuits and load-sensing hydraulic system ensure for precise control.



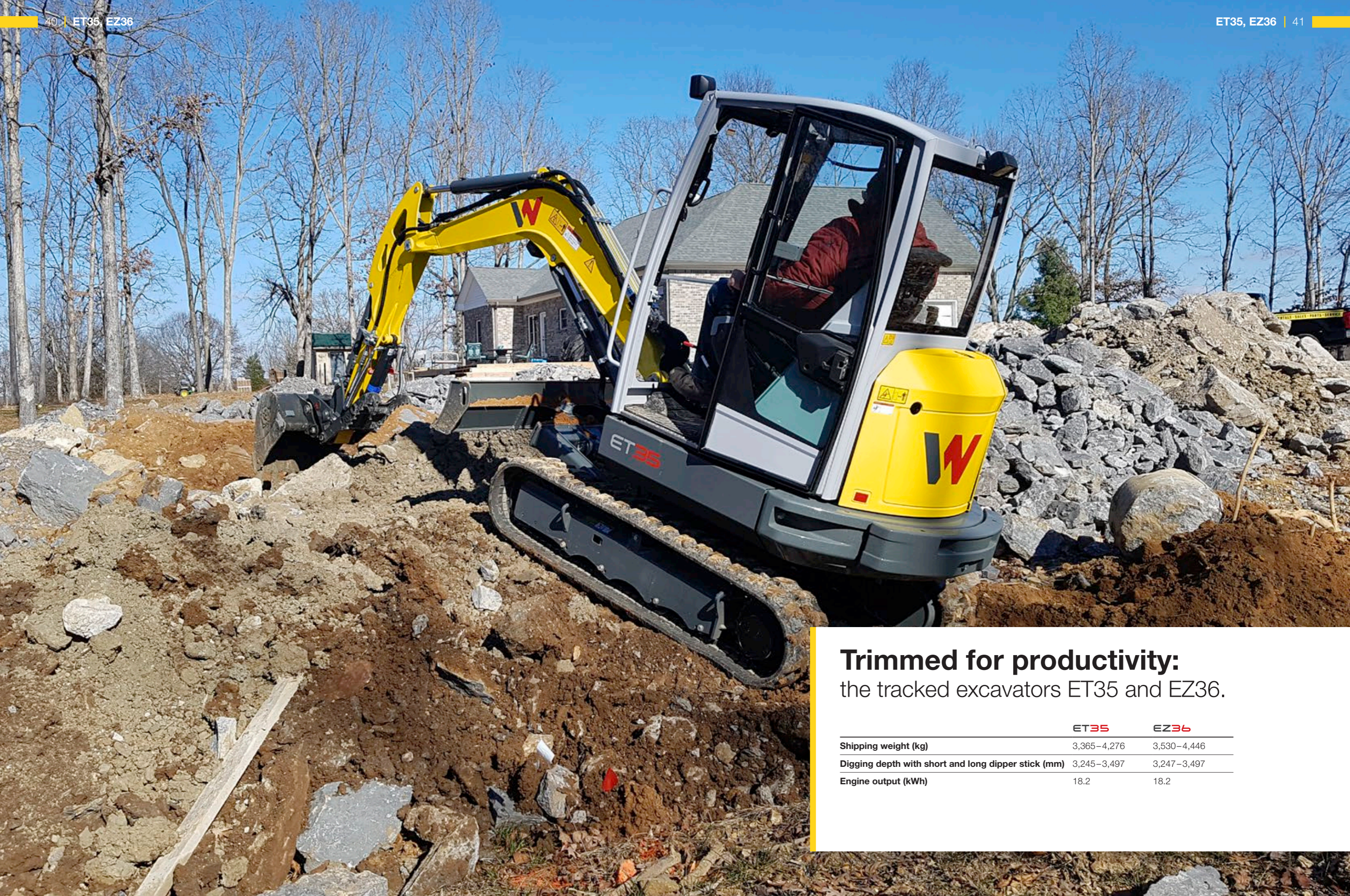
Weight and dimensions perfectly coordinated.

Small dimensions and a low weight make the EZ26 an all-rounder both on and off the construction site. The machine can be easily transported to the next construction site on a car trailer.



Comfort cab and improved line-of-sight.

Everything in view and within reach - thanks to the Jog Dial operation and clear display. The operator even has good visibility around the machine due to the improved line-of-sight. Communication is optimized through the side windows which open on both sides, as well as the two-piece front windshield.



Trimmed for productivity:
the tracked excavators ET35 and EZ36.

	ET35	EZ36
Shipping weight (kg)	3,365–4,276	3,530–4,446
Digging depth with short and long dipper stick (mm)	3,245–3,497	3,247–3,497
Engine output (kWh)	18.2	18.2

Impressive productivity.

An overview of the ET35 and EZ36 features.

Comfort

- Innovative, two-part front windshield system
- Jog Dial system
- Comfortable, fully glazed cab
- Hydraulic joystick operation
- Hydraulically controlled drive pedals
- Powerful air-conditioning system
- Radio with Bluetooth
- USB port

Efficiency

- Optimized drive concept
- Thermal resistance with ambient temperature up to 45°C
- Zero Tail (only for EZ36)
- Transport on car trailer
- Compact dimensions
- Vertical Digging System (VDS)

Maintenance

- Easy service and maintenance access
- Tilttable and detachable cabin
- Dirt-repellent travel gear



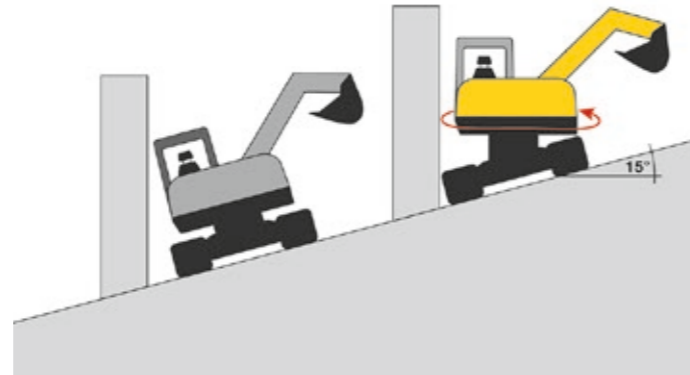
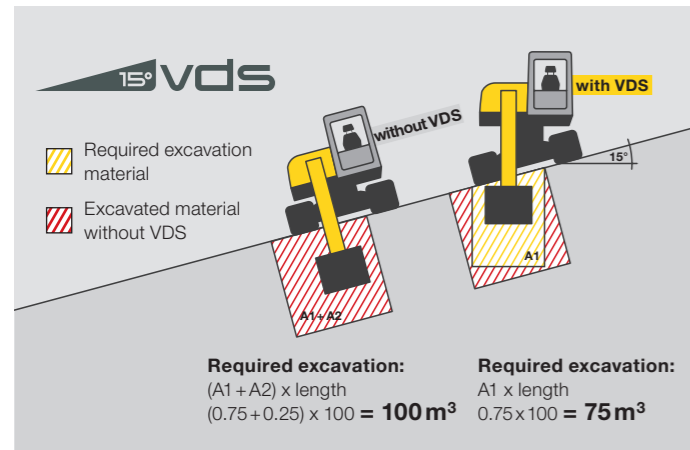
Safety

- Eight tie-downs
- Enhanced stability due to the externally guided rollers and optional additional rear weight
- Flexible cylinder rod protection

Versatility

- Up to four auxiliary control circuits ex works
- Custom-made paint finish
- Hydraulic thumb for additional gripping function (optional)
- Available with rubber or steel tracks
- Hydraulic, pivoting dozer blade with a floating position (optional)

Tracked excavators ET35 and EZ36: maximum efficiency.



Vertical Digging System – small detail, great effect.

The Vertical Digging System VDS supports you precisely then when you need it. Thanks to the VDS, you can efficiently excavate, even on inclines, like on a slope or on curbs. At the press of a button, the excavator assumes a vertical position, which enables more

precise working. You gain in productivity on uneven terrain because you save up to 25% material when excavating and filling-in.



Jog Dial.

The correct operational settings can be selected using the Jog Dial. Further settings can also be selected via the keypad.



The following modes can be selected:

- ECO mode: fuel-saving work
- HI mode: maximum pump performance
- LOW mode: very precise, sensitive work



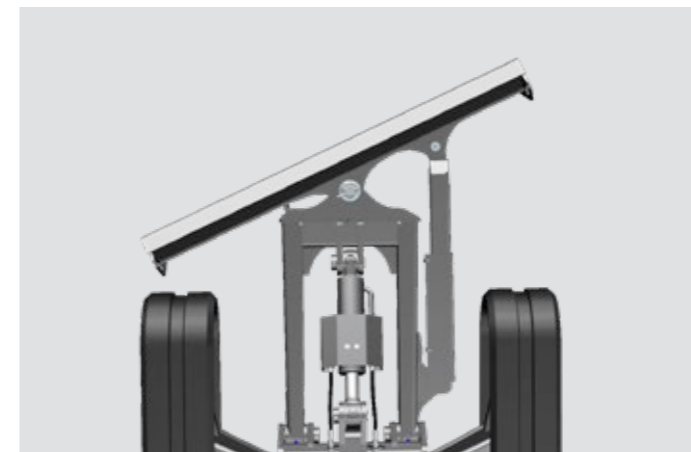
Optimized drive concept.

The drive concept with optimized engine-pump management enables a quick and precise control. As a result, work cycles that are up to 15 percent faster can be achieved. The available engine versions are low in consumption and do not require an exhaust after-treatment.



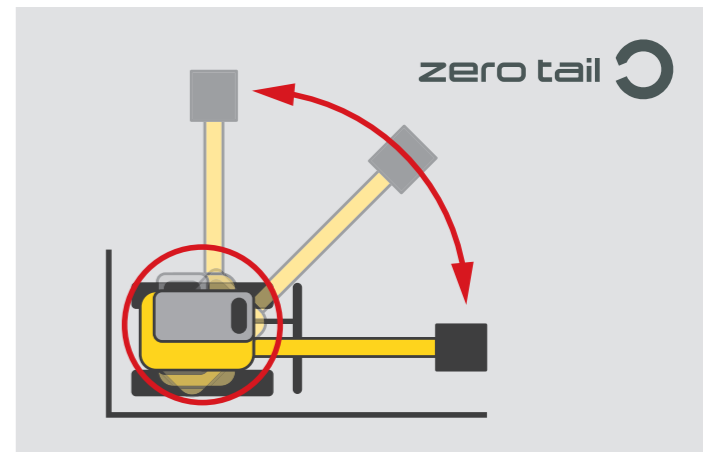
Comfortable, fully glazed cab.

The large, fully-glazed and tiltable cab roof window offers the operator an optimal 360° visibility of their work area. This gives the operator a good view of his working area, the colleagues and any dangers.



Hydraulic pivoting dozer blade.

The swivel blade can be swiveled straight or variably by up to 25 degrees to the left or the right. In the floating position, the dozer blade automatically follows the contour of the ground, so the operator does not need to make adjustments.



Zero Tail with the EZ36.

- All-around compact dimensions, ideal for working in confined spaces
- Excavator without rear projection for safe working, for example alongside walls, and for use on urban construction sites or on busy roads

The boost for your construction site: the tracked excavators ET42 and EZ50.

	ET42	EZ50
Shipping weight (kg)	3,817–4,609	4,617–5,454
Digging depth with short and long dipper stick (mm)	3,344–3,544	3,467–3,667
Engine output (kW)	36	36



Excavating made easy.

An overview of the ET42 and EZ50 features.

Safety

- Active Working Signal AWS: visual warning signal for the surroundings
- LED work lights
- New positioning of the exhaust system
- Protective grating for windshield
- Ten tie-downs
- Optimal field of vision to the front as a result of the windshield washer motor integrated into the A-pillar
- Flexible cylinder rod protection

Comfort

- Intercommunication station
- USB port
- 7-inch display in combination with reversing camera
- High cab comfort with excellent ergonomics and air-conditioning system

Efficiency

- Load Sensing Flow Sharing: precise control independent of the load
- Vertical Digging System VDS (ET42)
- 3-point kinematics: a new level of productivity
- Compact dimensions
- Zero Tail (EZ50): working without a rear projection
- Guided track rollers outside



Environmental-friendliness

- Auto-stop function: automatically switches the machine off when it is not in use (adjustable)

Performance

- AUX pressure relief

Maintenance

- Protected hose routing through the swivel console
- Optimal access to all maintenance and service points

Versatility

- Hydraulic thumb
- Innovative front windshield system
- Hydraulic swiveling dozer blade

Tracked excavators ET42 and EZ50: Taking your work to a new level.



Load Sensing Flow Sharing.

Load Sensing Flow Sharing enables precise and efficient control of the excavator. The machine adjusts to the load and the joystick movements are always kept the same for the operator. The hydraulics work more efficiently, saving energy and ultimately

costs. Even for the operator the operation is easier. Load-Sensing systems aid in controlling the flow rate properly. The less power is used, the lower the fuel consumption.



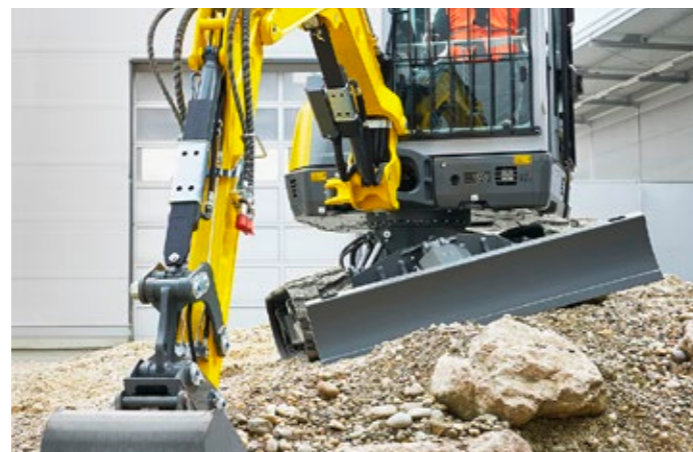
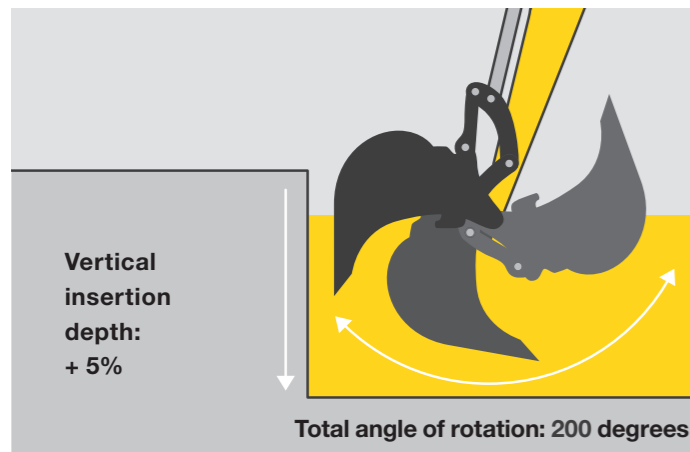
Flexible cylinder rod protection.

Due to the plastic rails, the cylinder piston rods are protected from damage, which increases their service life and saves on cost. Due to their flexible material, they return to their original shape after impact. Their appearance and characteristics are completely retained.



Active Working Signal AWS.

The red LED strip running diagonally over the engine hood lights up when the joystick control is pressed down. This signals to bystanders nearby that the excavator is ready for operation and can be moved at any time.



3-point kinematics.

With the 3-point kinematics, the usual bucket linkage has been taken to a whole new level. As a result of this "3-bolt design", the bucket's angle of rotation extends to 200 degrees - this is 10% more than a conventional bucket linkage. This increases the vertical insertion depth, as well as the digging power. It is therefore no longer necessary to reposition the excavator as often, significantly increasing efficiency.

Vertical Digging System for the ET42.

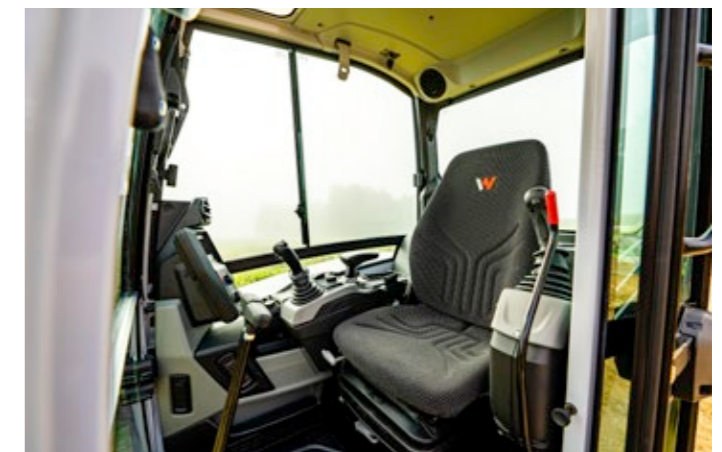
With the Vertical Digging System (VDS) option, efficiency and productivity can be increased even more at the touch of a button. For both these excavators, VDS means:

- 25% savings on materials and time when excavating and backfilling material
- Machine and entry height, as well as insertion depth, as on the models without VDS
- Full 360-degree swing power
- Fatigue-free working due to upright seat position



Versatile performer.

With up to six auxiliary control circuits and numerous new and time-tested and proven options, ET42 and EZ50 can be ideally adapted to individual requirements. Changing attachments is quick and comfortable – among other things, by a pressure release switch in the cabin and quick hitch system (optional).



Ergonomic comfort cab.

The ergonomically optimized comfort cab provides a very good 360° visibility, plenty of leg room and headroom, and a wide entry. This guarantees a high safety level and flexibility at the workplace, adjusted to the individual needs of the operator.

Attachments.

Quick hitch systems.



EasyLock+.

With the hydraulic quick hitch system EasyLock+, you can change the attachment in just a few seconds with the press of a button from the operator's seat. This makes you even more flexible and productive.

In addition to normal bucket operation, the system also enables use as a face shovel. Thus, the new EasyLock+ is even safer and meets all the requirements of current standards.



Powertilt.

The Powertilt swivel unit is optionally available and can be combined with both EasyLock+ and the Lehmatic quick hitch system. This allows the attachment to be tilted by up to 90° on each side – ideal for leveling, mulching, or grading work.

Lehmatic.

With the Lehmatic quick hitch systems, you have the option to select between the mechanical and hydraulic system. The system is durable and reliable, even with hard applications. The hydraulic system is equipped with a "double lock." The Lehmatic quick hitch system is available both with or without the Powertilt.

The right machine for every application.

Bucket types.

Wacker Neuson offers you different types of bucket types for excavating, separating, transporting, and shaking off soils or other bulk materials. These are available for both EasyLock+ and Lehmatic quick hitch systems.

To be perfectly equipped for any situation from the outset, there are a number of pre-defined bucket sets ex works. You can find more information at your distributor.



Bucket with blade



Bucket with teeth



Ditch or trench cleaning bucket



Swivel bucket
incl. hydraulic hoses
and couplings



Hydraulic breakers.

Our range of hydraulic rammers as attachments for mini-excavators, compact excavators and mobile excavators is ideal for demolition and renovation works. The energy recovery system offers you a high level of productivity. The output directly at the breaker always remains constant and reliably high as a result of the innovative system.



Grapple.

The grapple pallet is ideally tuned to our machines and provides extensive application options from gardening and landscaping through to demolition works. Sorting & demolition grapples and multi-purpose grapples will shortly be available in different sizes ex works.

Configuration options.

Cab

	ET08	EZ10E	ET16	EZ17E	EZ17	ET18	ET20	ET24	EZ26E	EZ26	ET35	EZ36	ET42	EZ50
Canopy	-	●	●	●	●	●	●	●	●	●	●	●	●	●
FOPS protective grating level 1	-	-	○	○	○	○	○	○	-	-	-	-	-	-
Cab	-	-	○	-	-	○	○	○	○	○	○	○	○	○
Air-conditioning system	-	-	-	-	-	-	-	-	○	○	○	○	○	○
Premium seat	-	-	-	-	-	-	-	-	○	○	○	○	○	○
Radio incl. Bluetooth hands-free system	-	-	-	-	-	-	-	-	○	○	○	○	○	○
Radio configuration	-	-	-	-	-	○	○	○	-	●	●	●	●	●
Front window protective grating:	-	-	-	-	-	○	○	○	○	○	○	○	○	○
Shatter protection	○	○	○	○	○	○	○	○	○	○	○	○	○	○

Hydraulics

	ET08	EZ10E	ET16	EZ17E	EZ17	ET18	ET20	ET24	EZ26E	EZ26	ET35	EZ36	ET42	EZ50
Pressure release for auxiliary control circuits	-	-	-	-	-	-	-	-	-	○	-	-	○	○
Flat-faced coupler	-	○	○	○	○	○	○	○	○	○	○	○	○	○
Bio-oil Shell Panolin	○	○	○	○	○	○	○	○	○	○	○	○	○	○
Proportional control, AUX I	-	-	-	-	●	○	○	○	-	●	●	●	●	●
Flow control valve 3rd control circ./AUX II	-	-	-	○	○	○	○	○	○	○	○	○	○	○
Flow control valve for aux. hydr./AUX I	-	-	-	○	○	○	○	○	○	○	○	○	○	○
Overload warning device Advanced	-	-	-	○	○	○	○	○	○	○	○	○	○	○
Auxiliary hydraulics dipper stick hose system	○	-	-	-	-	-	-	-	-	-	-	-	-	-
Preparation for Easy Lock/AUX IV	-	-	○	○	○	○	○	○	○	○	○	○	○	○
Preparation for grapple/AUX V	-	-	-	○	○	○	○	○	○	○	○	○	○	○
Preparation for hydr. thumb/AUX VI	-	-	-	-	-	-	-	-	-	-	-	-	-	-
Preparation for Powertilt/AUX III	-	-	-	○	○	○	○	○	○	○	○	○	○	○
Auxiliary double-acting hydraulics/AUX I	○	●	●	●	●	●	●	●	●	●	●	●	●	●
3rd control circ./AUX II	-	-	-	○	○	○	○	○	○	○	○	○	○	○

Paint

	ET08	EZ10E	ET16	EZ17E	EZ17	ET18	ET20	ET24	EZ26E	EZ26	ET35	EZ36	ET42	EZ50
Special paint 1 RAL	○	○	○	○	○	○	○	○	○	○	○	○	○	○
Special paint 1 no RAL	○	○	○	○	○	○	○	○	○	○	○	○	○	○
Special paint cab/canopy RAL	-	-	○	○	○	○	○	○	○	○	○	○	○	○

Security

	ET08	EZ10E	ET16	EZ17E	EZ17	ET18	ET20	ET24	EZ26E	EZ26	ET35	EZ36	ET42	EZ50
Security 24 C (2,000 h)	○	-	○	-	○	○	○	○	-	○	○	○	○	○
Security 36 C (3,000 h)	○	●	○	●	○	○	○	○	●	○	○	○	○	○
Security 48 C (4,000 h)	○	-	○	-	○	○	○	○	-	○	○	○	○	○
Security 60 C (5,000 h)	-	-	○	-	○	○	○	○	-	○	○	○	○	○

● Standard ○ Option - not available * for cabin version

List may deviate, more info available from sales partner

Miscellaneous

	ET08	EZ10E	ET16	EZ17E	EZ17	ET18	ET20	ET24	EZ26E	EZ26	ET35	EZ36	ET42	EZ50
LED boom work lights	-	●	●	●	●	●	●	●	●	●	●	●	●	●
Front and rear work lights	-	-	○	○	○	○	○	○	○	○	○	○	○	○
Outside rearview mirrors	-	-	○	○	○	○	○	○	○	○	○	○	○	○
Auto-stop function	-	●	-	-	-	-	-	-	-	○	-	-	○	○
AWS Active Working Signal	-	●	-	-	-	-	-	-	-	-	-	-	●	●
Counterweight	-	-	-	-	○	-	-	-	-	○	○	○	○	○
Diesel filling pump	-	-	-	-	-	-	-	-	-	-	-	-	○	○
Document box	-	●	●	●	●	●	●	●	●	○	●	●	○	○
Automatic RPM speed control	-	●	-	-	-	○	○	○	-	●	●	●	●	●
EquipCare 36 months (including app & manager)	○	○	○	○	○	○	○	○	○	○	○	○	○	○
Drive signal	○	○	○	○	○	○	○	○	○	○	○	○	○	○
Rubber track*	●	●	●	●	●	●	●	●	●	●	●	●	●	●
Piston rod protection	-	-	-	-	-	-	-	-	-	○	-	-	○	○
Long dipper stick	-	-	○	○	○	○	○	○	○	○	○	○	○	○
Long dozer blade	-	-	-	-	-	○	○	-	-	-	-	-	-	-
Swiveling dozer blade	-	-	-	-	-	-	-	-	-	-	○	○	○	○
Rear-view camera	-	-	-	-	-	-	-	-	-	-	-	-	○	○
Green rotating beacon	-	○	-	-	-	-	-	-	-	○	-	-	○	○
Orange rotating beacon	-	○	○	○	○	○	○	○	○	○	○	○	○	○
Orange safety belt	-	-	-	●	●	-	-	-	●	●	●	●	●	●
Steel track*	-	-	-	○	○	-	-	-	○	○	○	○	○	○
Telescopic travel gear	●	●	○	●	●	●	●	-	●	-	-	-	-	-
ISO – SAE switch-over	○	○	○	○	○	○	○	○	○	○	○	○	○	○
VDS	-	-	-	-	-	○	○	○	-	-	○	○	○	-
KAT Drive interlock	-	○	○	○	○	○	○	○	○	○	○	○	○	○

Assembled attachments

	ET08	EZ10E	ET16	EZ17E	EZ17	ET18	ET20	ET24	EZ26E	EZ26	ET35	EZ36	ET42	EZ50
Easy Lock	-	-	○	○	○	○	○	○	○	○	○	○	○	○
Easy Lock + Powertilt	-	-	○	○	○	○	○	○	○	○	○	○	○	○
Easy Lock + Powertilt + Load hook	-	-	○	○	○	○	○	○	○	○	○	○	○	○
Hydraulic quick hitch system without load hook	-	-	○	-	-	-	-	-	-	-	-	-	-	-
Hydraulic quick hitch system Lehnhoff + load hook	-	-	-	○	○	○	○	○	○	○	○	○	○	○
Hydraulic quick hitch system Lehnhoff + Powertilt + load hook	-	-	-	○	○	○	○	○	○	○	○	○	○	○
Mechanical quick hitch system MS01	○	○	○	○	○	○	○	○	○	○	○	○	-	-

● Standard ○ Option - not suitable * different widths possible depending on the model



Your excavators always within view: with EquipCare.

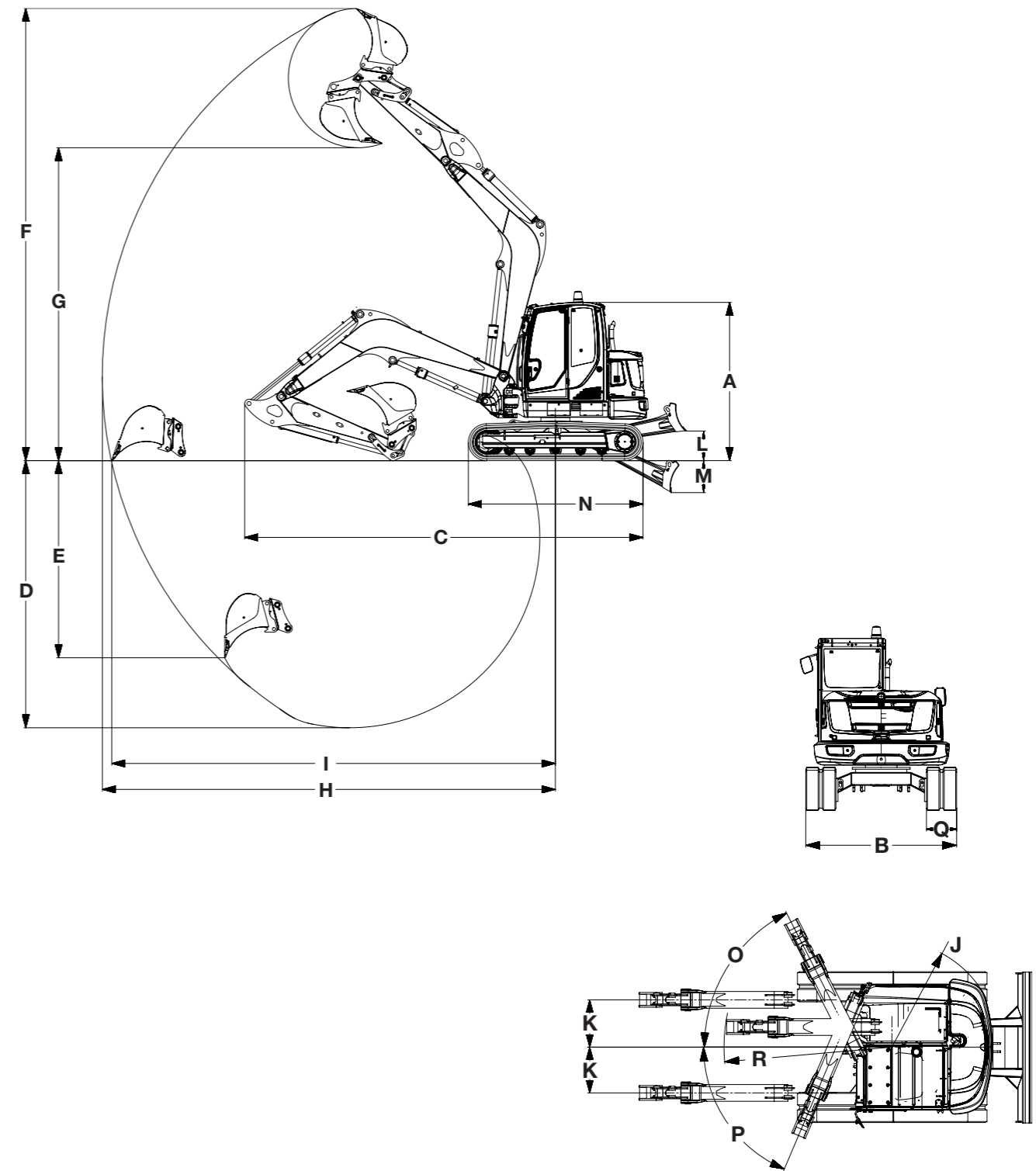
With our Telematics solution, EquipCare, you give your machines a voice. Machines equipped with the Telematics module actively report in, for example to inform you of upcoming maintenance or possible malfunctions. For these machines, our EquipCare Dual ID is also available as an option. This is an electronic access control. You can set exactly who can use your machines, and thus increase security on your construction site.

Dimensions.

	Unit	ET08	EZ10E	ET16	EZ17E	EZ17	ET18	ET20	ET24	EZ26/ EZ26E	ET35	EZ36	ET42	EZ50
A Height	mm	1,436 ⁽⁴⁾ , 2,261 ⁽⁵⁾	2,264	2,285	2,365	2,365	2,285	2,295	2,392	2,412	2,491/ 2,573*	2,491/ 2,573*	2,494	2,555
B Width of the travel gear (track)	mm	700, 860 ⁽³⁾	788, 1,098 ⁽³⁾	990, 1,300 ⁽³⁾	990	990, 1,300 ⁽³⁾	990, 1,300 ⁽³⁾	990, 1,300 ⁽³⁾	1,400	1,550	1,630	1,750	1,750	1,960
C Transport length (short dipper stick)	mm	2,628 ⁽⁴⁾ , 2,746 ⁽⁵⁾	3,073	3,644	3,584	3,584	3,854	4,049	4,022	4,199	4,773	4,878	5,146	5,467
C Transport length (long dipper stick)	mm	-	-	3,607	3,554	3,551	N/A	N/A	N/A	4,212	4,773	4,878	5,152	5,482
D Max. digging depth (short dipper stick)	mm	1,763	1,868	2,242	2,323	2,326	2,202	2,483	2,402	2,603	3,245	3,247	3,344	3,467
D Max. digging depth (long dipper stick)	mm	-	-	2,413	2,483	2,486	2,402	2,683	2,602	2,803	3,497	3,497	3,544	3,667
E Max. vertical insertion depth (short dipper stick)	mm	1,320	949	1,642	1,710	1,713	1,415	1,660	1,562	1,124	2,120	2,123	2,114	2,085
E Max. vertical insertion depth (long dipper stick)	mm	-	-	1,802	1,860	1,863	1,600	1,845	1,746	1,281	2,360	2,360	2,293	2,262
F Max. insertion height (short dipper stick)	mm	2,857 ⁽⁴⁾ , 2,863 ⁽⁵⁾	2,980	3,808 ⁽³⁾	3,465	3,462	3,553 ⁽²⁾	3,929 ⁽²⁾	4,028 ⁽²⁾	4,151	5,010 ⁽²⁾	5,004 ⁽²⁾	5,210	5,470
F Max. insertion height (long dipper stick)	mm	-	-	3,529 ⁽³⁾	3,579	3,576	3,663 ⁽²⁾	4,052 ⁽²⁾	4,071 ⁽²⁾	4,280	5,163 ⁽²⁾	5,157 ⁽²⁾	5,340	5,599
G Max. dumping height (short dipper stick)	mm	2,012	2,185	2,396 ⁽³⁾	2,439	2,436	2,510, 2,611 ⁽²⁾	2,805 ⁽²⁾	2,824 ⁽²⁾	2,764	3,417 ⁽²⁾	3,411 ⁽²⁾	3,573	3,655
G Max. dumping height (long dipper stick)	mm	-	-	2,518 ⁽³⁾	2,553	2,550	2,621, 2,722 ⁽²⁾	2,928 ⁽²⁾	2,950 ⁽²⁾	2,893	3,570 ⁽²⁾	3,564 ⁽²⁾	3,703	3,784
H Max. digging radius (short dipper stick)	mm	3,090 ⁽⁴⁾ , 3,074 ⁽⁵⁾	3,421	3,700	3,900	3,899	3,802	4,129	4,146	4,622	5,270	5,298	5,489	5,916
H Max. digging radius (long dipper stick)	mm	-	-	3,861	4,050	4,050	3,989	4,317	4,334	4,813	5,507	5,582	5,678	6,105
I Max. reach at ground level (short dipper stick)	mm	3,028	3,378	3,648	3,848	3,848	3,700	4,031	4,020	4,506	5,158	5,391	5,376	5,794
I Max. reach at ground level (long dipper stick)	mm	-	-	3,811	4,001	4,002	3,894	4,225	4,216	4,706	5,408	5,641	5,570	5,988
J Min. tail swing radius	mm	747	650	1,075	660	660	1,169	1,169	1,169	819	1,168	933	1,335	1,047
K Max. boom offset to center of bucket (right/left)	mm	245/ 283	457/ 369	432/ 287	533/ 418	533/ 418	516/ 359	516/ 359	516/ 359	622/ 584	476/ 447	680/ 650	493/ 532	764/ 770
L Max. lift height of dozer blade (short/long)	mm	194	202	211, 235 ⁽³⁾	271	271	198/ 281	216/ 299	294	352/ 374 ⁽¹⁾	393	393	418	410
M Max. scraping depth of the dozer blade above subgrade (short/long)	mm	178	217	264, 270 ⁽³⁾	390	390	316/ 381	297/ 362	334, 316 ⁽³⁾	409/ 387 ⁽¹⁾	505	505	563	443
N Total track length	mm	1,220	1,394	1,462	1,607	1,607	1,462	1,708	1,838	1,982	2,062	2,062	2,198	2,508
O Max. swing angle of arm system to the right	degrees	56	56	49	57	57	48	48	48	50	55	55	55	55
P Max. swing angle of arm system to the left	degrees	55	56	73	65	65	77	77	77	70	70	70	70	70
Q Track width	mm	180	180	230	230	230	230	250	250	250/ 300	300	300	350	400
R Boom swing radius, center	mm	-	1,378	1,195	1,635	1,627	1,584	1,666	1,666	2,102	2,008	2,245	2,175	2,505

⁽¹⁾ with steel chain ⁽²⁾ with VDS ⁽³⁾ with telescopic travel gear ⁽⁴⁾ with roll bar ⁽⁵⁾ without roll bar

Tracked excavators.



Lift capacity tables.

ET08

A	MAX				2.5 m				2.0 m				1.5 m				1.0 m			
	C		D		C		D		C		D		C		D		C		D	
	Blade up		Telescopic travel gear extended		Blade up		Telescopic travel gear extended		Blade up		Telescopic travel gear extended		Blade up		Telescopic travel gear extended		Blade up		Telescopic travel gear extended	
B	from	up to	from	up to	from	up to	from	up to	from	up to	from	up to	from	up to	from	up to	from	up to	from	up to
2.4 m	216	216'	216	216'	-	-	-	-	-	-	-	-	-	-	-	-	-	-	-	-
2.0 m	205	205'	167	167'	256	256	335	335'	318	318'	318	318'	-	-	-	-	-	-	-	-
1.5 m	163	163	126	126	244	244	337	337	319	319	439	439	438	438	567	567'	-	-	-	-
1.0 m	142	142	109	109	232	232	324	324	296	296	416	416	400	400	569	569	600	600	883	883
0.5 m	135	135	103	103	-	-	-	-	293	293	412	412	397	397	566	566	606	606	889	889
0 m	137	137	104	104	-	-	-	-	-	-	-	-	406	406	575	575'	619	619	851	851'
- 0.5 m	146	146'	115	115	-	-	-	-	293	293	412	412	397	397	566	566	606	606	889	889
- 1.0 m	138	138'	138	138*	-	-	-	-	-	-	-	-	406	406	575	575'	619	619	851	851'

EZ17e

A	MAX				3.0 m				2.5 m				2.0 m				1.5 m			
	C		D		C		D		C		D		C		D		C		D	
	Blade up		Telescopic travel gear extended		Blade up		Telescopic travel gear extended		Blade up		Telescopic travel gear extended		Blade up		Telescopic travel gear extended		Blade up		Telescopic travel gear extended	
B	from	up to	from	up to	from	up to	from	up to	from	up to	from	up to	from	up to	from	up to	from	up to	from	up to
2.5 m	280	320	264	302	-	-	-	-	325	329	306	310	-	-	-	-	-	-	-	-
2.0 m	222	245	209	231	240	240	226	226	326	329	308	310	-	-	-	-	-	-	-	-
1.0 m	179	194	168	182	231	232	218	218	309	310	291	291	438	443	410	414	-	-	-	-
0.0 m	175	190	165	179	219	221	206	218	287	289	269	271	401	403	373	376	-	-	-	-
- 1.0 m	211	235	198	221	217	217	204	208	282	287	264	269	396	402	368	375	643	655	591	602
- 1.5 m	267	312	251	293	-	-	-	-	287	287	269	269	402	411	375	383	654	667	602	614

ET16

A	MAX				3.0 m				2.0 m				1.0 m			
	C		D		C		D		C		D		C		D	
	Blade up		Telescopic travel gear extended		Blade up		Telescopic travel gear extended		Blade up		Telescopic travel gear extended		Blade up		Telescopic travel gear extended	
B	from	up to	from	up to	from	up to	from	up to	from	up to	from	up to	from	up to	from	up to
1.5 m	163	222	158	293	181	225	175	297	315	397	315	397	-	-	-	-
1.0 m	150	205	146	272	177	222	171	293	332	406	309	531	-	-	-	-
0.5 m	145	199	141	265	171	217	166	289	311	385	292	513	-	-	-	-
0.0 m	147	203	143	271	167	214	162	286	298	373	280	500	-	-	-	-
- 0.5 m	157	219	153	292	165	209	160	281	292	370	275	497	975	1,226	801	1,708
- 1.0 m	181	256	175	309	-	-	-	-	292	372	275	493	984	1,231	809	1,504
- 1.5 m	240	313	228	313	-	-	-	-	299	373	281	397	-	-	-	-

All table values are given in kg in a horizontal position on a solid surface and without bucket.

EZ17

A	MAX				3.0 m				2.5 m				2.0 m				1.5 m			
	C		D		C		D		C		D		C		D		C		D	
	Blade up		Telescopic travel gear extended		Blade up		Telescopic travel gear extended		Blade up		Telescopic travel gear extended		Blade up		Telescopic travel gear extended		Blade up		Telescopic travel gear extended	
B	from	up to	from	up to	from	up to	from	up to	from	up to	from	up to	from	up to	from	up to	from	up to	from	up to
2.5 m	238	299	264	326	-	-	-	-	277	307	306	334	-	-	-	-	-	-	-	-
2.0 m	186	228	209	251	202	222	226	245	279	307	308	334	-	-	-	-	-	-	-	-
1.0 m	148	179	168	199	194	215	218	238	262	288	287	291	374	413	410	447	-	-	-	-
0.0 m	144	175	165	196	182	204	206	227	240	268	269	296	336	374	373	408	-	-	-	-
- 1.0 m	174	217	198	241	179	200	204	223	234	265	264	293	331	373	368	408	543	609	591	653
- 1.5 m	223	289	251	318	-	-	-	-	240	265	269	293	338	381	375	416	554	621	602	664

Lift capacity tables.

ET18

A	MAX				3.0 m				2.5 m				2.0 m				1.5 m			
	C		D		C		D		C		D		C		D		C		D	
	Blade up		Telescopic travel gear extended		Blade up		Telescopic travel gear extended		Blade up		Telescopic travel gear extended		Blade up		Telescopic travel gear extended		Blade up		Telescopic travel gear extended	
B	from	up to	from	up to	from	up to	from	up to	from	up to	from	up to	from	up to	from	up to	from	up to	from	up to
2.5 m	196	313	232	382	–	–	253	336*	253	344	297	366*	–	–	–	–	–	–	–	–
2.0 m	163	258	195	377	183	256	218	383*	249	341	293	379*	–	–	–	–	–	–	–	–
1.0 m	135	217	165	394	171	247	206	374	226	320	270	483	312	435	370	663	–	–	–	–
0.0 m	135	465	166	344	159	237	194	365	204	302	248	465	275	406	333	636	408	611	494	993
- 1.0 m	169	286	206	466*	–	–	–	–	201	303	245	470	272	408	330	641	413	621	498	956*
- 1.5 m	227	451	274	460*	–	–	–	–	–	–	–	–	281	422	339	475*	425	637*	511	607*

ET20

A	MAX				3.5 m				3.0 m				2.5 m				2.0 m			
	C		D		C		D		C		D		C		D		C		D	
	Blade up		Telescopic travel gear extended		Blade up		Telescopic travel gear extended		Blade up		Telescopic travel gear extended		Blade up		Telescopic travel gear extended		Blade up		Telescopic travel gear extended	
B	from	up to	from	up to	from	up to	from	up to	from	up to	from	up to	from	up to	from	up to	from	up to	from	up to
2.5 m	216	322	213	355	–	–	–	–	253	317	260	358	355	356*	310	356*	–	–	–	–
2.0 m	187	275	189	304	–	–	196	196	250	316	255	356	341	384*	341	394*	–	–	467	467*
1.0 m	162	237	170	263	180	240	187	266	232	301	237	341	308	389	308	442	429	533	419	608
0.0 m	165	241	178	267	172	225	180	251	216	287	223	328	281	366	286	420	388	496	387	574
- 1.0 m	207	299	231	332	–	–	–	–	215	276	308	320	277	364	286	421	387	497	390	578
- 1.5 m	271	391	317	435	–	–	–	–	–	–	–	–	286	359	401	418	397	508	403	574

ET24

A	MAX				3.5 m				3.0 m				2.5 m				2.0 m			
	C		D		C		D		C		D		C		D		C		D	
	Blade up		Telescopic travel gear extended		Blade up		Telescopic travel gear extended		Blade up		Telescopic travel gear extended		Blade up		Telescopic travel gear extended		Blade up		Telescopic travel gear extended	
B	from	up to	from	up to	from	up to	from	up to	from	up to	from	up to	from	up to	from	up to	from	up to	from	up to
2.5 m	275	356	255	440	–	–	–	–	321	364	319	453	444	500	428	535*	–	–	–	–
2.0 m	238	306	230	383	–	–	261	350	308	362	312	447	426	490	415	588	–	–	583	713*
1.0 m	208	267	210	341	224	271	231	344	293	344	291	429	374	454	378	558	561	643	516	775
0.0 m	213	276	224	368	219	255	224	332	276	329	276	417	365	428	355	535	516	600	485	736
- 1.0 m	267	358	300	518	–	–	–	–	277	320	369	406	361	429	358	544	516	605	491	748
- 1.5 m	351	504	434	618	–	–	–	–	–	–	–	–	371	427	484	531	526	621	485*	754

EZ26 (Base machine with additional rear weight)

A	MAX		3.5 m		3.0 m		2.5 m		2.0 m	
	C	D	C	D	C	D	C	D	C	D
	Blade up		Blade up		Blade up		Blade up		Blade up	
3.0 m	542	456	–	–	552*	477	–	–	–	–
2.0 m	396	334	435	366	558	469	634*	624*	–	–
1.0 m	357	300	419	352	528	441	694	572	–	–
0 m	370	310	408	340	508	421	665	545	951	761
- 1.0 m	464	387	–	–	510	423	667	547	961	770

* hydraulically restricted

Lift capacity tables.

ET35

A	MAX				4.0 m				3.0 m				2.0 m			
	C		D		C		D		C		D		C		D	
	Blade up				Blade up				Blade up				Blade up			
B	from	up to	from	up to	from	up to	from	up to	from	up to	from	up to	from	up to	from	up to
4.0 m	642	738'	642	738'	-	-	-	-	555	698'	555	698'	-	-	-	-
3.0 m	514	673	556	716'	549	636	594	650'	537	654'	537	654'	-	-	-	-
2.0 m	433	569	469	623	539	740'	583	707	724	829'	724	829'	1,065	1,106'	1,065	1,106'
1.0 m	404	536	438	588	516	831'	560	687	786	936	859	1,034	1,411	1,695	1,582	1,900
0 m	411	553	446	607	496	892'	540	672	741	901	813	999	1,347	1,635	1,515	1,858
- 1.0 m	462	641	503	704	490	843'	534	627	726	895	797	992	1,341	1,644	1,508	1,866
- 2.0 m	626	853'	683	853'	-	-	-	-	740	896	811	982'	1,371	1,585'	1,510	1,585'

EZ36

A	MAX				4.0 m				3.0 m				2.0 m			
	C		D		C		D		C		D		C		D	
	Blade up				Blade up				Blade up				Blade up			
B	from	up to	from	up to	from	up to	from	up to	from	up to	from	up to	from	up to	from	up to
4.0 m	641	710'	633	710'	-	-	-	-	646	679'	646	679'	-	-	-	-
3.0 m	451	627	444	621	531	604'	524	604'	619	621'	619	621'	-	-	-	-
2.0 m	380	533	373	527	518	657	510	650	728	858'	728	858'	1,171	1,321'	1,171	1,321'
1.0 m	353	503	347	497	491	633	483	627	752	949	743	942	1,376	1,729	1,365	1,724
0 m	358	518	352	512	467	615	460	609	703	912	693	905	1,304	1,697	1,292	1,691
- 1.0 m	402	596	395	589	459	614	451	608	687	907	677	899	1,308	1,709	1,296	1,704
- 2.0 m	539	849'	530	849'	-	-	-	-	702	932	692	925	1,342	1,713	1,330	1,708

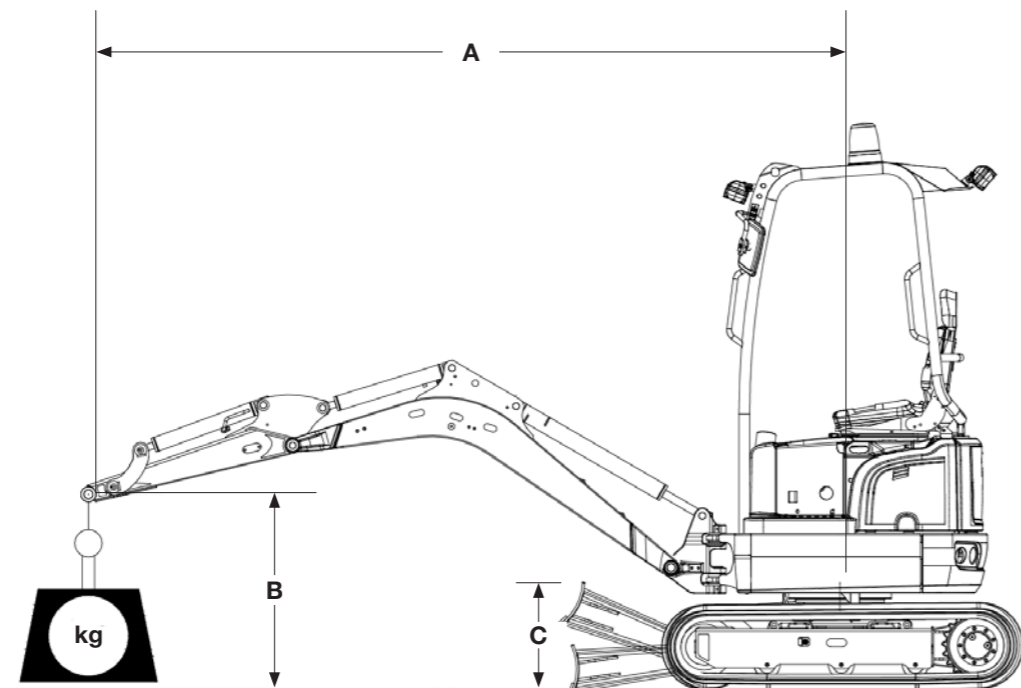
ET42

A	MAX				4.0 m				3.0 m				2.0 m				1.0 m			
	C		D		C		D		C		D		C		D		C		D	
	Blade up				Blade up				Blade up				Blade up				Blade up			
B	from	up to	from	up to	from	up to	from	up to	from	up to	from	up to	from	up to	from	up to	from	up to	from	up to
4.0 m	889	973'	834	973'	-	-	-	-	920	920'	920	920'	-	-	-	-	-	-	-	-
3.0 m	662	848	609	784	763	895	702	828	-	-	-	-	-	-	-	-	-	-	-	-
2.0 m	577	724	523	670	746	880	685	813	1,054	1,155'	1,054	1,155'	1,736	1,736'	1,736	1,736'	-	-	-	-
1.0 m	536	685	493	633	717	853	656	786	1,117	1,292	992	1,177	-	-	-	-	-	-	-	-
0 m	548	705	504	651	692	832	633	766	1,047	1,246	942	1,133	2,035	2,372	1,736	2,032	-	-	-	-
- 1.0 m	631	806	568	743	685	831	626	765	1,031	1,237	942	1,125	2,005	2,385	1,723	2,098	7,214	8,786'	7,214	8,786'
- 2.0 m	840	980'	764	980'	-	-	-	-	1,051	1,243	946	1,151'	2,049	2,104'	1,762	2,104'	6,050	6,050'	6,050	6,050'

Lift capacity tables.

EZ50

A	MAX				5.0 m				4.0 m				3.0 m				2.0 m			
	C		D		C		D		C		D		C		D		C		D	
	Blade up				Blade up				Blade up				Blade up				Blade up			
B	from	up to	from	up to	from	up to	from	up to	from	up to	from	up to	from	up to	from	up to	from	up to	from	up to
4.0 m	852	1,058'	778	1,037	-	-	-	-	891	959'	813	959'	-	-	-	-	-	-	-	-
3.0 m	653	856	599	780	-	-	-	-	885	1,008'	808	971	-	-	-	-	-	-	-	-
2.0 m	572	748	525	682	602	741	553	675	856	1,046	780	947	1,347	1,492'	1,203	1,450	-	-	-	-
1.0 m	544	715	500	651	587	728	538	663	819	1,005	745	908	1,252	1,539	1,114	1,366	-	-	-	-
0 m	558	737	512	670	-	-	-	-	789	979	716	883	1,203	1,488	1,074	1,318	-	-	-	-
- 1.0 m	678	837	619	759	-	-	-	-	780	975	707	879	1,194	1,486	1,059	1,316	2,452	3,058	2,046	2,568
- 2.0 m	935	1,074'	845	1,031	-	-	-	-	-	-	-	-	1,216	1,515	1,080	1,344	2,425	2,775'	2,092	2,583



Meaning of abbreviations in tables

- A: Outreach from middle of rotating assembly
- B: Height of load hook
- MAX: Permissible load with extended dipper stick
- C: Dozer blade above, in travel direction
- D: Dozer blade up, superstructure 90 degrees to travel direction

* Lift capacity limited by hydraulics

Actual lift capacity depends on the outfitting of the machine. You can find these in the respective operator's manual.

Technical data.

General

	Unit	ET08	EZ10e	ET16	EZ17e	EZ17	ET18	ET20	ET24	EZ26e	EZ26	ET35	EZ36	ET42	EZ50
Shipping weight	kg	930–992	1,139–1,169	1,402–1,602	1,681	1,595–1,822	1,582–2,060	1,862–2,182	2,057–2,401	2,288–2,852.1	2,480–2,700	3,365–4,276	3,530–4,446	3,817–4,609	4,617–5,454
Operating weight	kg	1,029–1,089	1,236–1,300	1,529–1,720	1,797–2,152	1,724–1,950	1,725–2,203	2,005–2,324	2,200–2,544	2,439.5–3,237.1	tba	3,555–4,466	3,720–4,636	4,032–4,824	4,847–5,685
Max. ripping force*	kN according to ISO 6015	4.5	5.7	7.9	9.1	9.1	11.2	12.5	15	15.7	15.7	21.1	21.1	20.8	23.6
Max. break out force	kN according to ISO 6015	8.9	11.7	15.3	20.5	18.7	18.8	18.8	21.8	22.6	22.6	35	35	43.3**	36.8**

Drive

	Unit	ET08	EZ10e	ET16	EZ17e	EZ17	ET18	ET20	ET24	EZ26e	EZ26	ET35	EZ36	ET42	EZ50
Manufacturer	–	Yanmar	DANA	Yanmar	DANA	Yanmar	Yanmar	Yanmar	Yanmar	IPM	Yanmar	Yanmar	Yanmar	Perkins diesel engine	Perkins diesel engine
Model	–	3TNV70	SRA150	3TNV76	SRI150-21T48	3TNV76	3TNV76	3TNV76	3TNV76	–	3TNV80F	3TNV88F-EPWN	3TNV88F-EPWN	403J-E17T	403J-E17T
Design system	–	Liquid-cooled, 3-cylinder diesel engine	Electric motor	Liquid-cooled, 3-cylinder diesel engine	Electric motor	Liquid-cooled, 3-cylinder diesel engine				Electric motor	Liquid-cooled, 3-cylinder diesel engine	3-cylinder Yanmar diesel engine		Liquid-cooled, 3-cylinder turbo engine	
Displacement	cm ³	854	–	1,116	–	1,116	1,116	1,116	1,116	–	1,266	1,642	1,642	1,662	1,662
Engine output	according to ISO kW/hp	9.9/13.3	–	13.8/18.5	16.5	13.8/18.5	13.8/18.5	13.8/18.5	13.8/18.5	–	13.4/18.2	18.2/24.4	18.2/24.4	32.5/44.2	32.5/44.2
Fuel tank volume	l	7	–	24	–	22	24	24	24	–	44	44	44	80	80
Emission standard stage	–	Stage V	–	Stage V	–	Stage V				–	Stage V				

Hydraulics

	Unit	ET08	EZ10e	ET16	EZ17e	EZ17	ET18	ET20	ET24	EZ26e	EZ26	ET35	EZ36	ET42	EZ50
Hydraulic system / pumps	–	Sum-performance rule / 2-gear pumps	Dual gear pump	LUDV with gear pump	Load-sensing hydraulic system/ 1 variable displacement pump	Load-sensing hydraulics system/ 1 variable displacement pump	Summation regulation/ 2 variable displacement pumps, 2 gear pumps				Variable axial piston pump	Load Sensing Flow Sharing/1 axial piston pump	2 axial piston pumps/ 2 gear pumps		Load Sensing Flow Sharing/ 1 axial piston pump
Max. flow rate	l/min	10.7 + 10.7	11.4 + 11.4	34.5	39.6	39.6	23.8+23.8 + 19.1+6.5	23.8+23.8 + 19.1+6.5	26.1+26.1 + 19.4+6.4	68.6	65.8	42.5+42.5 23.8+11.3	42.5+42.5 23.8+11.3	90	126
Operating pressure for work and travel hydraulics	bar	170	200	200	240	240	200	200	240	240	240	240	240	245	245
Operating pressure for swing gear	bar	70	–	130	160	150	125	150	150	–	196	195	195	206	209
Auxiliary hydraulics, max. discharge volume	l/min	22	22	34	36.1	36.1	41.5	41.5	43	45	44.9	66.1	66.1	74	73

Travel gear

	Unit	ET08	EZ10e	ET16	EZ17e	EZ17	ET18	ET20	ET24	EZ26e	EZ26	ET35	EZ36	ET42	EZ50
Ground clearance	mm	132	–	180	–	156	210	170	295	–	184	251	251	300	330
Max. travel speed	km/h	1.8	3.8	4.1	4.8	4.8	5.3	4.1	4	4.3	4.3	2.7/4.7	2.7/4.7	4.8	4.4
Ground pressure of basic machine	kg/cm ²	0.25	–	0.26	–	0.28	0.30	0.28	0.29	0.24–0.29	0.25–0.30	0.36–0.46	0.36–0.46	0.3–0.38	0.27–0.31

Noise emissions

	Unit	ET08	EZ10e	ET16	EZ17e	EZ17	ET18	ET20	ET24	EZ26e	EZ26	ET35	EZ36	ET42	EZ50
Sound power level (L _{WA})*	dBA acc. to 2000/14/EC	93	–	93	84	93	93	93	93	85	93	94	94	97	97
Sound pressure level (L _{PA})*	dBA acc. to ISO 6396	77	67	79	70	79	75.8	75.8	75.8	54.9	77	78	78	76	77

* Short dipper stick ** Dipper stick blade (ISO 6015), bolted on + HighPower bucket

All information relates to the base machine. Subject to changes.

The Wacker Neuson product range includes over 300 different product series with different versions. The product data may vary accordingly with the selection of different options.

Not all Wacker Neuson products listed or shown here are however available or allowed in all countries.

The Wacker Neuson products shown are examples and as such are subject to changes. We are happy to make you a specific offer upon request.

Reproduction only with the written approval of Wacker Neuson.

© Wacker Neuson SE

Battery

	Unit	EZ10e	EZ17e	EZ26e
Battery type		Lithium-ion	Lithium-ion	Lithium ion
Battery voltage	V	10–14	31	96
Battery capacity	kWh	48	48	30 (39)
Charging time 0 - 100%	h	1.5–4	4–8	1.5–9
Charging time 0 - 80%*	h	1.25	–	–
Running time (uninterrupted)	h	7–9	7.5**	7–9
Drive	kW	10.6	16.5	16

* Best possible charging time from 20% to 90%

** Running time varies depending on the type of application

Wacker Neuson – all it takes.



Concrete technology



Vibratory rammers



Vibratory plates



Rollers



Demolition technology



Generators



Lighting



Pumps



Excavators



Wheel loaders



Telehandlers



Dumpers



Financial solutions



Repair & Maintenance



Academy



EquipCare & EquipCare Pro



Rental



Concrete specialists



eStore



Spare parts



Used machines



ConcreteTec



wackerneuson.com



Facebook
wackerneuson



Instagram
@wackerneuson



Youtube
Wacker Neuson



LinkedIn
Wacker Neuson



TikTok
@wacker.neuson



WN.EMEA.10290.V06.EN-US

03/2025 EN